

solar**edge**

SolarEdge TerraMax™ Inverter & H1300 Power Optimizer

Groundbreaking versatility.
Greater yields



Floating PV



Ground-Mount



Agri-PV



Community Solar

Introducing SolarEdge's Optimized Utility solution, combining the high-power 330kW inverter and H1300 Power Optimizer.

Designed to maximize PV production and profitability for a wide range of site conditions, it's ideal for ground mount and dual-use PV installation.



Built for maximum performance and cost savings

The SolarEdge TerraMax™ Inverter delivers up to 330kW of power with high efficiency and module-level visibility, setting new standards for energy yields, while lowering O&M costs.



Versatile

Designed to reduce system costs, the solution minimizes cable use by supporting string lengths of up to 80 modules. Its versatility enables solar sites on various terrains such as slopes, uneven areas, above crops, or on bodies of water.



Powerful

This MLPE-based solution features 99% inverter efficiency and offsets module mismatch-related energy losses. With 200% DC-oversizing and integrated night-time PID rectifiers, it boosts energy yields for lower LCOE and better bottom lines.



Granular visibility

Together with the SolarEdge ONE energy optimization platform, it offers smart PV fleet management, precise monitoring and remote troubleshooting. This reduces service visits, increases system uptime and saves O&M expenses.



Safe and Secure

Provides a safer working environment for maintenance and emergency crews with built-in SafeDC™, designed to lower high DC voltage to touch safe levels. Its multilayered protection from inverter to cloud complies with global safety and cybersecurity standards.

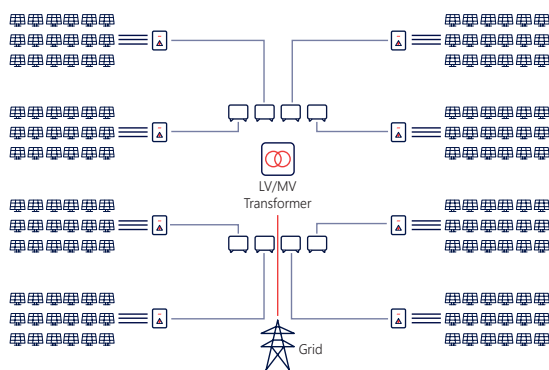
Enhance project design for maximum efficiency

Select the system topology that best fits your project, while harnessing the extensive benefits of the SolarEdge TerraMax Inverter and H1300 Power Optimizer:

Centralized Topology

In a centralized topology, the inverters are installed in a central location with distributed MPPTs (Maximum Power Point Trackers) across the array.

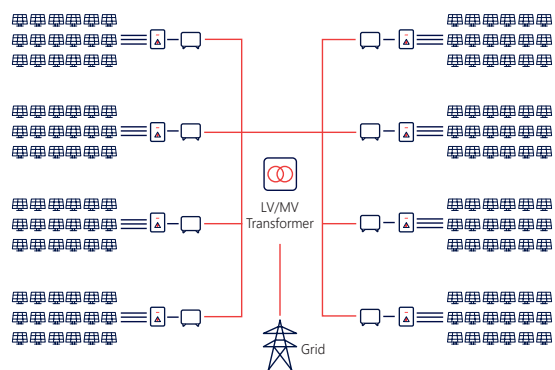
- / Higher energy yield – no voltage drops between the inverter and MV/LV transformer
- / Easier serviceability for O&M, providing AC cabling cost savings



Distributed Topology

In a distributed topology, the inverters are located close to the modules.

- / No need for a dedicated inverter structure



DC Combiner Box SolarEdge TerraMax Inverter Multiple DC String from Modules Single DC Conductor AC Conductor

About SolarEdge

SolarEdge Technologies is a global leader in renewable energy technology that applies world-class engineering and innovation to provide solar PV solutions for the residential, commercial and utility segments. SolarEdge brings an optimized approach to generating, storing, managing and consuming energy. The company develops and produces PV inverters and Power Optimizers, energy management and optimization solutions, energy storage and grid services. SolarEdge's DC-optimized technology is installed in millions of homes in over 140 countries, and more than 50% of Fortune 100 companies have SolarEdge technology on their rooftops. SolarEdge is accelerating the transition towards distributed, sustainable energy networks which will optimize energy everywhere.