

# RS485 Surge Protection Kit Installation Guide

This document describes how to install the RS485 Surge Protection Kit in a SolarEdge inverter.

## Kit Contents

- Surge protection board

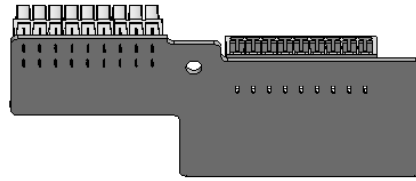


Figure 1: Surge Protection Board

## Installation Procedure

1. Turn the inverter ON/OFF switch to OFF. The inverter display should indicate that the string voltage is in the safety voltage range (< 50V).
2. Disconnect the AC to the inverter by turning OFF the circuit breakers on the distribution panel.
3. Do one of the following:
  - For a new RS485 connection installation, disconnect the 9-pin connector from the surge protection board, and connect the RS485 wires to the G, A, and B terminals of the 9-pin connector, as shown in Figure 2.

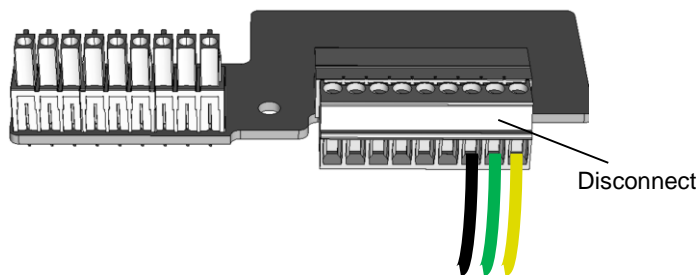


Figure 2: 9-Pin Connector for a New Inverter Installation

- If RS485 connection is already installed in the inverter, disconnect the 9-pin connector from the inverter's communication board (leaving the RS485 wires intact), as shown in Figure 3.

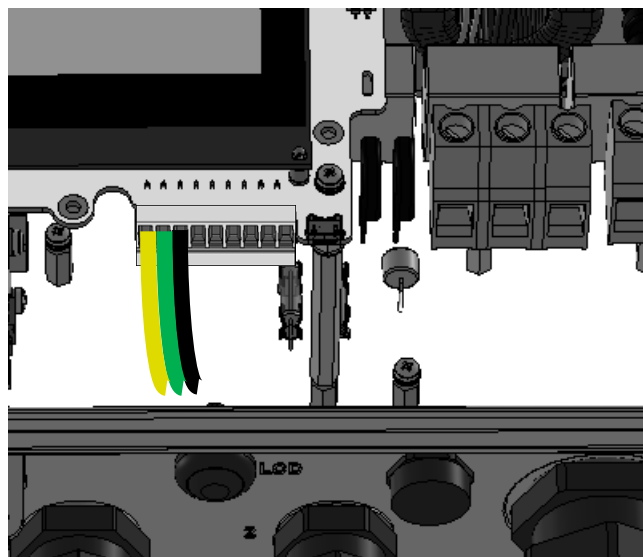
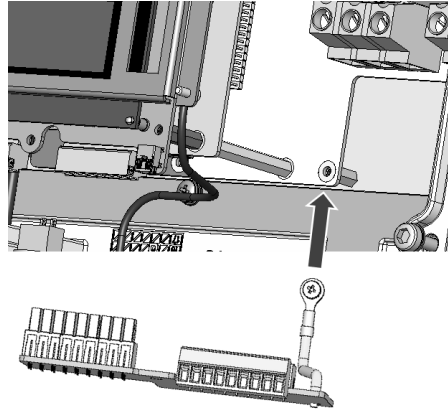


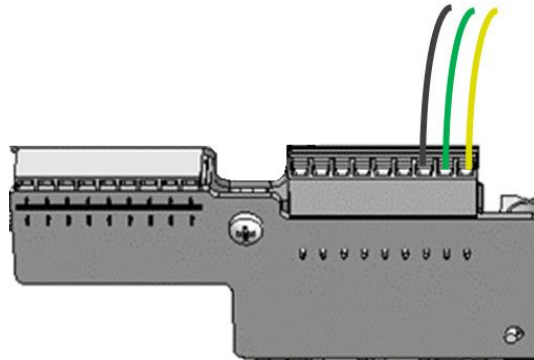
Figure 3: Disconnecting the 9-Pin Connector from an Existing Inverter

4. Remove the inverter grounding screw, as seen below in Figure 4. Position the ring terminal of the surge protection board in its place, and replace and tighten the screw.



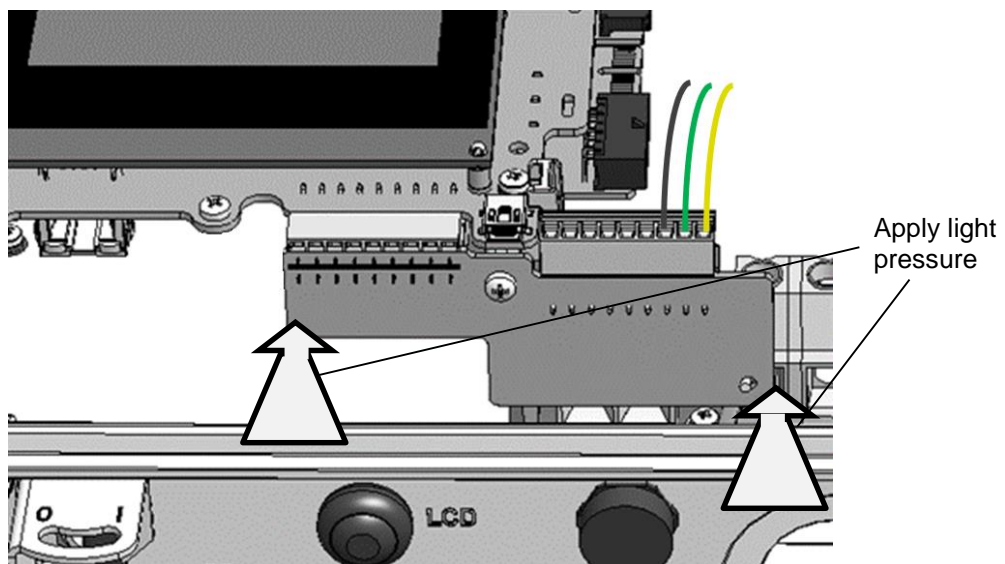
**Figure 4: Affixing the Terminal Ring with a Ground Screw**

5. Insert the 9-pin connector with the RS485 wires into the communication input socket of the surge protection board, as shown in Figure 5.



**Figure 5: Inserting the 9-Pin Connector into the Surge Protection Board**

6. Insert the surge protection board's connectors into the communication board socket, applying light pressure. Make sure the connectors are firmly inserted.



**Figure 6: Attaching the Surge Protection Board to the Inverter Communication Board**

7. Close the inverter cover.
8. Turn ON the AC to the inverter.
9. Turn the inverter ON/OFF switch to ON.