

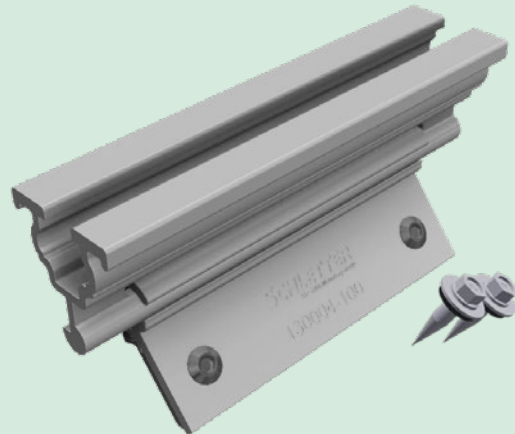
CLAMPFIT



PRODUCT SHEET

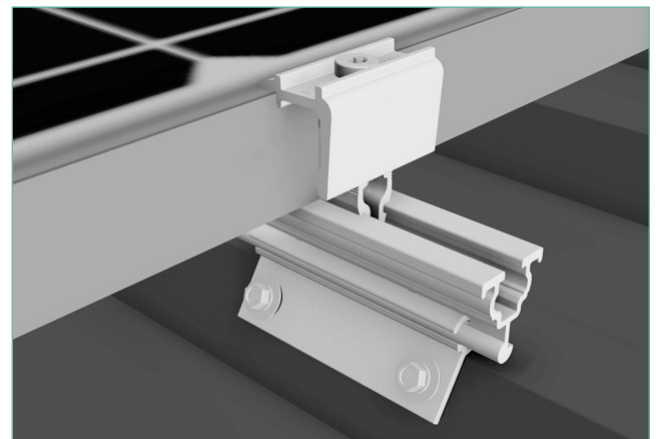
The cost-optimized direct trapezoidal sheet fastening system

For steel and aluminium sheets from 0.5 mm

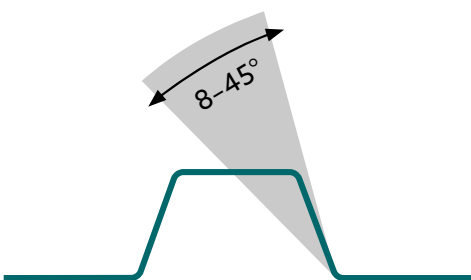


OPTIMAL INTRODUCTION OF FORCE INTO THE SHEET METAL

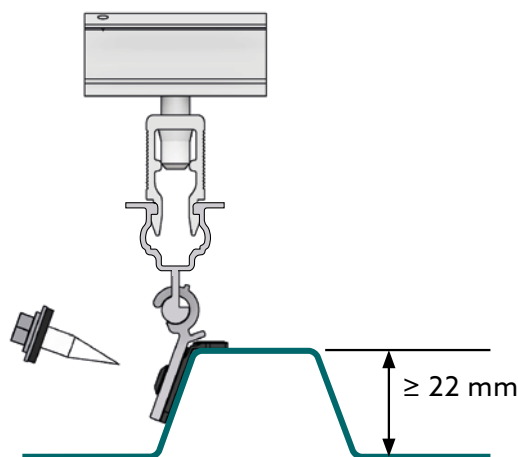
Although this fastening system undercuts previously achievable €/kWp system prices once more, the ClampFit system also corresponds to the strict Schletter quality guidelines: An optimal introduction of force is achieved thanks to the side edge fastening. In this way, even very thin trapezoidal sheets are not overloaded in places. Even the loosening of screws by thermal expansion and load alternation is reliably eliminated in this fastening geometry.



POSSIBLE DIMENSIONS



Inclination of the side edges from 8 to 45°



Trapezoidal sheets with minimum height of the side edges: 22 mm

CLAMPFIT

TECHNICAL SPECIFICATIONS

Scope of application	Direct trapezoidal sheet metal fastening system for sheet metal thickness ≥ 0.5 mm
Material	Systems components: Aluminium Screws: Stainless steel Dichtung: EPDM
Planning aid	Configuration and structural analysis via Schletter Configurator
Structural analysis	Structural analysis based on recognized engineering standards. Verification of structural safety of the mounting system is based on Eurocodes and general construction approvals. The load assumptions comply with DIN EN 1991-1 and the regulations of the national annex. Roofing and building certificates are not included. Any instructions on required certification and approval must be observed.
Warranty	25 years according to our warranty terms
Supplementary documents	Assembly instructions ClampFit Component overview - Special fastening solutions

ARTICLE OVERVIEW

130004-200	ClampFit	PU: 100
-------------------	----------	---------



ACCESSORIES (to be ordered separately)

943000-700	Thin sheet metal screw 5.5 x 25 A2 with gasket With ETA, ETN, MCS012 and German building authority approval. For use in Germany, France and the UK in conjunction with ClampFit. For use on sandwich panels approved for this purpose.	PU: 100
943000-360	Thin sheet metal screw 6.0 x 25 A2 with gasket With ETA, ETN, MCS012 and German building authority approval. For use in Germany, France and the UK in conjunction with ClampFit.	PU: 100
943001-232	Thin sheet metal screw 6.0 x 22 A2 with gasket wA For use outside Germany, France, the UK in conjunction with ClampFit.	PU: 100

► **NOTE**
You need 2 screws per ClampFit