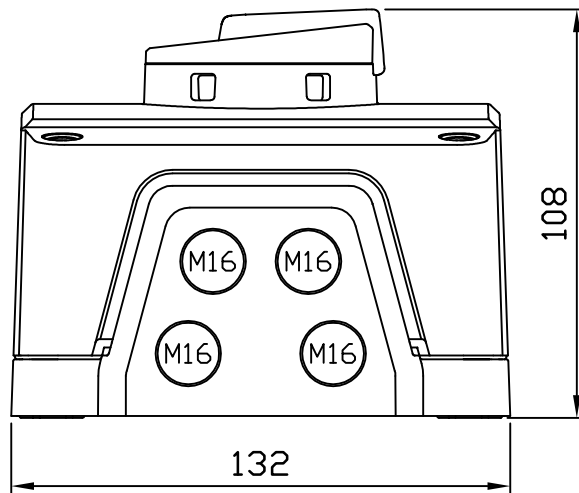
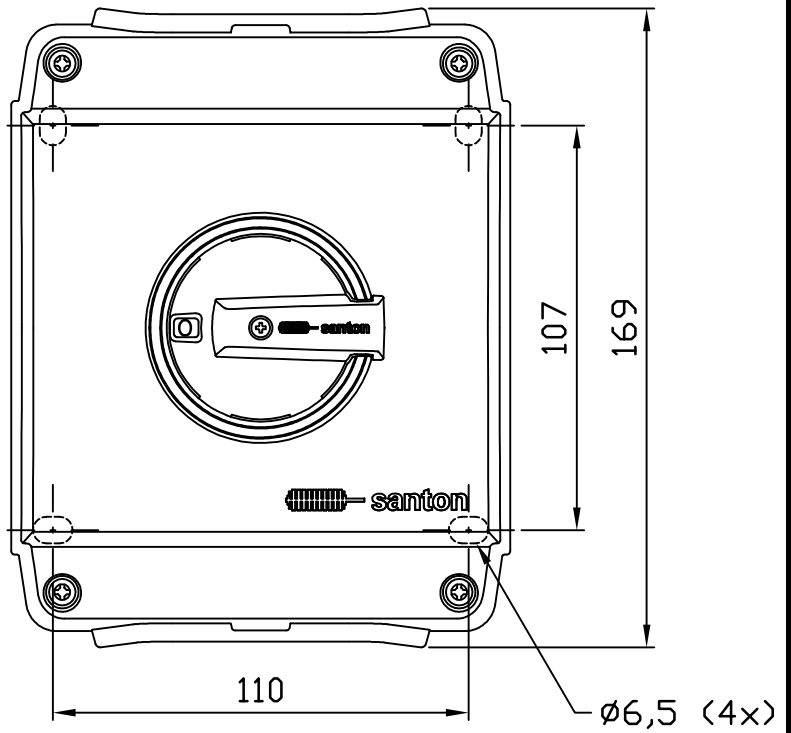


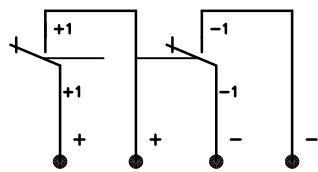
Copyright © Copying of this document, third party distribution or use for manufacturing is strictly forbidden without written permission. All rights and know-how contained herein are explicitly reserved by Santon Switchgear Ltd.

POSITION OF HANDLE	0	OFF
	1	+1--1
		-1--1



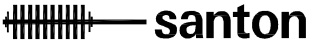
I <sub>th</sub>	I <sub>e</sub>	U <sub>e</sub>
25A	16A	1000V DC21B
	20A	850V DC21B
	25A	800V DC21B

IP 65



B				
A				
Rev.		Drn by	Date	App. by

SANTON TYPENR. SILIOS D1-G1 (Padlock black-grey)

Drn by : C.Z.	Date : 27-06-2014	App. by :
		Computer nr. 80216
Santon International bv Hekendorpstraat 69 3079 DX Rotterdam Holland		Tel. +31 (0)10 283 26 00 Fax +31 (0)10 429 45 46 tech@santonswitchgear.com www.santonswitchgear.com