

## SolarEdge P-5 Series Power Optimizers Grounding Using a Grounding Plate

When the power optimizer is mounted on a *grounded* structure, equipment grounding is usually done using the star washer supplied with the optimizers (refer to the *SolarEdge Installation Guide*).

For selected mounting systems *with sliding nut fasteners*, use the SolarEdge grounding plate (part number SE-GNDPLATE-100) instead of the supplied star washer as described below. The SolarEdge grounding plate penetrates the galvanized or anodized coating of the structure to ensure a low-resistance connection (per UL1741 certification). For information about grounding mounting systems using the SolarEdge grounding methods, refer to the *Grounding SolarEdge Power Optimizers application note* available on the SolarEdge website at: [http://www.solaredge.com/files/pdfs/grounding\\_se\\_power\\_optimizers.pdf](http://www.solaredge.com/files/pdfs/grounding_se_power_optimizers.pdf)

### → To establish equipment grounding:

1. Slide the nut fastener in the desired location in the rail.
2. Attach a grounding plate to the power optimizer (see Figure 1): Insert the two plate tabs into the two designated holes in the power optimizer back cover.
3. Install the power optimizer onto the rail using hardware suitable for the specific mounting structure ( screws, nuts, bolts, washers, etc. not supplied by SolarEdge).
4. Tighten the screw with a torque of 9.5 N\*m / 7 lb\*ft.

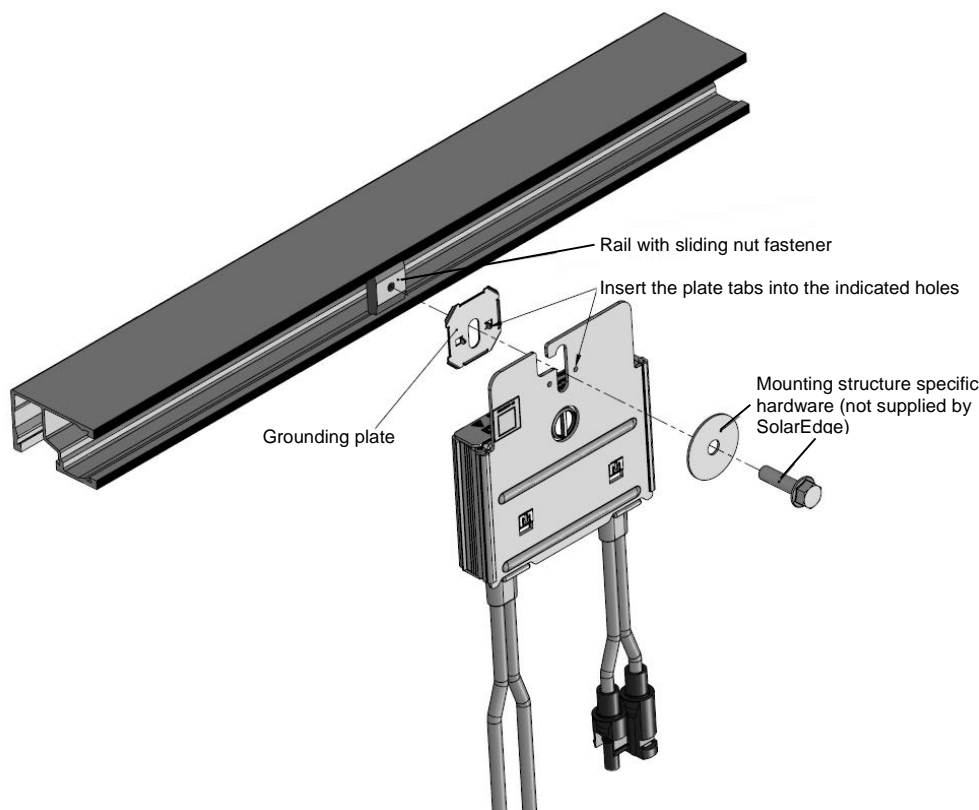


Figure 1: Example of grounding a power optimizer using the grounding plate