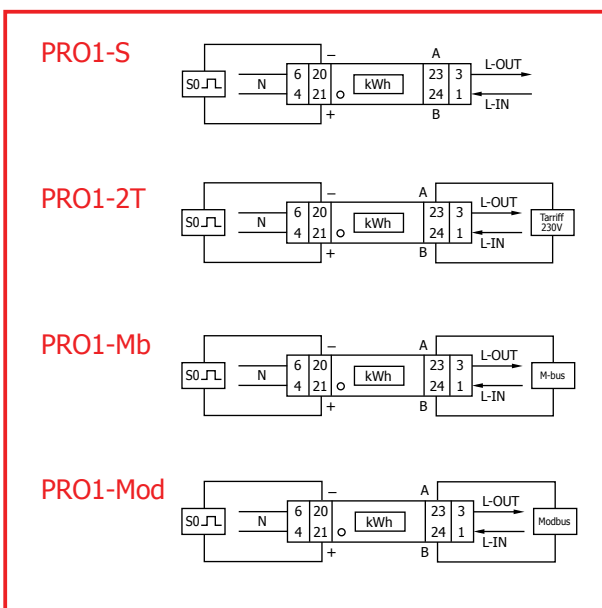
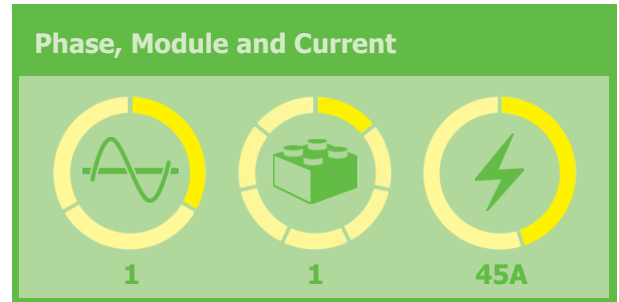


PRO1 - MID - Modbus/M-bus

The PRO1 series is a range of 1 module, single phase Smart Energy Meters consisting of 4 different types, each with their specific characteristics. They have an exceptional combination of a high accuracy class (1/B) and a broad temperature range of -25°C - +45°C. Another unique feature is the I_{max} of 45A.

The PRO1 series is available as a standard version (with a selectable S0 output) and also as a Modbus, M-bus or 2-tariff version. It can communicate and be programmed via an infra-red input. The different communication modes have over 40 variables like kWh, active and reactive energy, forward and reverse energy as well as Cos phi.

The PRO1 smart energy meter is equipped with a resettable day counter and the total energy usage can be calculated via 5 different modes.



“The single phase smart meter for every metering need.”

Specifications

PRO1

Technical specifications

- Height with protection cover : 116mm
- Height without protection cover : 90mm
- Width : 17,5mm
- Depth : 63mm
- Mounting : DIN rail
- Active energy : $\pm 1\%$
- Starting current : 0,05I_b
- Impulse S0 duration : T-on: 45ms T-off: 270ms T-t: 140us
- Operating humidity : $\leq 75\%$
- Storage humidity : $\leq 95\%$
- Operating temperature : $-25^{\circ} \sim +55^{\circ}\text{C}$
- Storage temperature : $-30^{\circ} \sim +70^{\circ}\text{C}$
- Nominal Voltage (Un) : 230V AC
- Operational Voltage : 100/173V \sim 270/468V
- AC Voltage withstand for 1 min : 4KV
- Impulse voltage 1.2uS Waveform : 6KV
- Basic current (I_b) : 5A
- Max current (I_{max}) : 45A
- Operational current range : 0,4%I_b~I_{max}
- Over current withstand : 30I_{max} for 0.01s
- Operational frequency range : 45-60Hz
- Int. power consumption : $\leq 2\text{W/Phase} - \leq 10\text{VA/Phase}$
- Basic error : standard
- International standard : EN50470-3
- IP protection : 51
- Protective class : II
- Connection mode : U
- Calculation of total energy : Forward, Forward+Reverse, Forward-Reverse, Reverse-Forward, Reverse
- Warranty : 60 months - Year 1-2 100%, Year 3 75%, Year 4 50%, Year 5 25%

Different models

Article number	MID	Phase	Mod.	Cur.	Com.	Display	Digits	Con. mode	S0	Back-light	Acc. Class	Tarriffs	S0 pulse output
0251 PRO1-S	Yes	1	1	45A	x	LCD	5+2	direct	1	Yes	B	x	Selectable ¹
0252 PRO1-2T	Yes	1	1	45A	x	LCD	5+2	direct	1	Yes	B	2	Selectable ¹
0253 PRO1-Mb	Yes	1	1	45A	x	LCD	5+2	direct	1	Yes	B	2	Selectable ¹
0254 PRO1-Mod	Yes	1	1	45A	x	LCD	5+2	direct	1	Yes	B	2	Selectable ¹
0265 PRO1-S	x	1	1	45A	x	LCD	5+2	direct	1	Yes	B	x	Selectable ¹
0266 PRO1-2T	x	1	1	45A	x	LCD	5+2	direct	1	Yes	B	2	Selectable ¹
0267 PRO1-Mb	x	1	1	45A	x	LCD	5+2	direct	1	Yes	B	2	Selectable ¹
0268 PRO1-Mod	x	1	1	45A	x	LCD	5+2	direct	1	Yes	B	2	Selectable ¹

¹ selectable options: 10.000-1.000-100-10-1-0.1-0.01