

# DC Miniature Circuit Breaker

## PEBS-H/L Series

**PROJOY**  
electric  
- Switch To Safety! -



## HIGH CRAFTSMANSHIP AND HIGH STANDARDS

Bright and Eye-catching

In line with the working habits of firefighters, it is conducive to quickly locate the operating location.

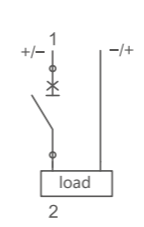
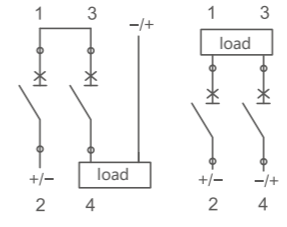
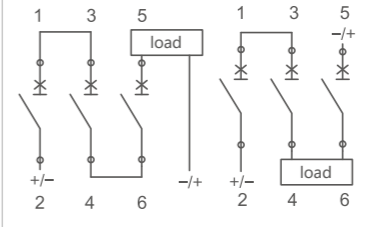
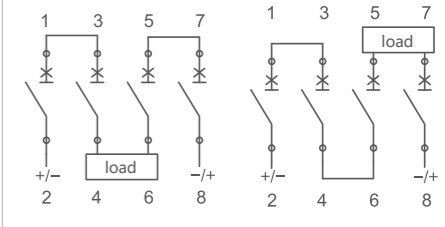
-   
Small Volume
-   
Short circuit Protection
-   
Overload Protection
-   
Flame Retardant
-   
High Breaking Capability
-   
Arcing Short
-   
Complete Accessories
-   
Multiple Wiring

**PROJOY**  
electric  
- Switch To Safety! -

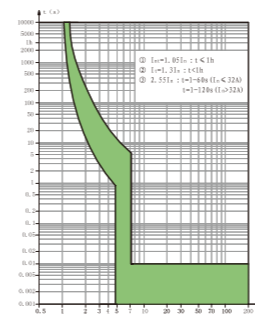
### Select Code

PEBS	-	E	V	C	T	-	P
Projoy Energy BatteryBreaker		Catalog	Rated Voltage(V)	Rated Current(A)	Tripping Character		Poles
		L H	80 160 250 500 750 1000	10,16,20 25,32,40 50,63,80, 100,125	B C		1 2 3 4

### Contact Configuration

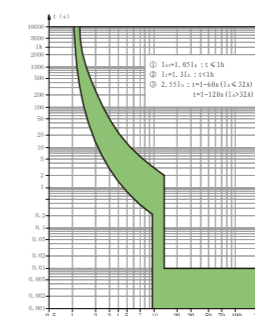
1P	2P	3P	4P
			

### Tripping Characteristics



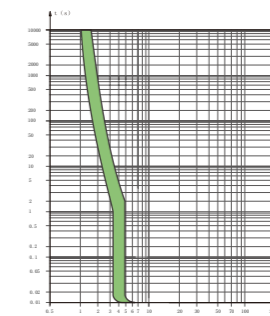
B Curve 4In(1±20%)

- Suitable for pure resistive load and microinductive circuit
- Available to rated current of 10A ~ 63A(63A Frame)
- Instantaneous tripping range: 4In±20%



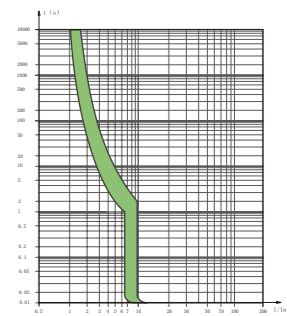
C Curve 8In(1±20%)

- Suitable for general load and power distribution circuit
- Available to rated current of 10A ~ 63A(63A Frame)
- Instantaneous tripping range: 8In±20%



B Curve 4In(1±20%)

- Suitable for pure resistive load and microinductive circuit
- Available to rated current of 80A ~ 125A(125A Frame)
- Instantaneous tripping range: 4In±20%



C Curve 8In(1±20%)

- Suitable for general load and power distribution circuit
- Available to rated current of 80A ~ 125A(125A Frame)
- Instantaneous tripping range: 8In±20%

**PROJOY**  
electric  
- Switch To Safety! -

### ProJoy Electric Co., Ltd.

2nd Floor, Building 3, No. 2266, Taiyang Road, Xiangcheng District, Suzhou, China  
Tel: +86 512 6878 6489 | Fax: +86 512 6878 6489  
Email: sales@projoy-electric.com | www.projoy-electric.com

## Technical data

PEBS-H-63

According to EN60947-2, AS/NZS IEC 60947.2: 2015.				
Pole	1P	2P	3P	4P
Rated Working Voltage U <sub>e</sub>	250 V DC	500 V DC	750 V DC	1000 V DC
Frame Current	63A			
Rated Current I <sub>n</sub>	63A, 50A, 40A, 32A, 25A, 20A, 16A, 10A			
Rated Insulation Voltage U <sub>i</sub>	1000V			
Rated Impulse Withstand Voltage U <sub>imp</sub>	6kV			
Tripping Characteristics	B/C			
Tripping Type	Thermal Magnetic			
Rated Ultimate Short-Circuit Breaking Capacity I <sub>cu</sub>	6kA			
Rated Service Short-Circuit Interrupting Capacity I <sub>cs</sub>	6kA			
Electrical Life	Actual	> 1500 Cycles		
	Standard	300 Cycles		
Mechanical Life	Actual	>10000 Cycles		
	Standard	9700 Cycles		
Overvoltage Category	III			
Pollution Degree	3			
Ingress Protection	IP40; Wiring port IP20			
Resistance to humidity and heat	Class 2			
Relative Humidity	≤ 95 %			
Vibration	acc. to IEC60068-2-6			
Shocks	acc. to IEC60068-2-27			
Terminal capacity	2.5~35mm <sup>2</sup>			
Fastening Torque of Terminals	2.0 ~ 3.5 Nm			
Ambient Temperature	-30°C~70°C			
Storage Temperature	-40°C~85°C			
Installation Method	DIN			
Elevation	≤2000m			
Dimension (4P)	length: 81mm			
	Width:72mm			
	High: 87.5mm			
Weight	0.12kg/Pole			

Package Information					Storage
Current	Pole	Box	Carton	Pallet	
63A/32A	1P	12	8	80	Products should be stored in the warehouse where there is ventilation. The relative humidity there should not exceed 80%, and the ambient temperature there is between -40°C to + 85°C. In addition, there should not be acidic, alkaline and corrosive gas in the air.  Products should not be deposited more than 5 years in the above mentioned conditions since the producing date.
	2P	6	8	80	
	3P	4	8	80	
	4P	3	8	80	

Order Choosing Specification															
Client Information:															
Rated Current (A)								Trip Type		No. of Pole				Quantity	Delivery Date
<input type="checkbox"/> 63	<input type="checkbox"/> 50	<input type="checkbox"/> 40	<input type="checkbox"/> 32	<input type="checkbox"/> 25	<input type="checkbox"/> 20	<input type="checkbox"/> 16	<input type="checkbox"/> 10	<input type="checkbox"/> B	<input type="checkbox"/> C	<input type="checkbox"/> 1	<input type="checkbox"/> 2	<input type="checkbox"/> 3	<input type="checkbox"/> 4		
<input type="checkbox"/> 63	<input type="checkbox"/> 50	<input type="checkbox"/> 40	<input type="checkbox"/> 32	<input type="checkbox"/> 25	<input type="checkbox"/> 20	<input type="checkbox"/> 16	<input type="checkbox"/> 10	<input type="checkbox"/> B	<input type="checkbox"/> C	<input type="checkbox"/> 1	<input type="checkbox"/> 2	<input type="checkbox"/> 3	<input type="checkbox"/> 4		
<input type="checkbox"/> 63	<input type="checkbox"/> 50	<input type="checkbox"/> 40	<input type="checkbox"/> 32	<input type="checkbox"/> 25	<input type="checkbox"/> 20	<input type="checkbox"/> 16	<input type="checkbox"/> 10	<input type="checkbox"/> B	<input type="checkbox"/> C	<input type="checkbox"/> 1	<input type="checkbox"/> 2	<input type="checkbox"/> 3	<input type="checkbox"/> 4		
<input type="checkbox"/> 63	<input type="checkbox"/> 50	<input type="checkbox"/> 40	<input type="checkbox"/> 32	<input type="checkbox"/> 25	<input type="checkbox"/> 20	<input type="checkbox"/> 16	<input type="checkbox"/> 10	<input type="checkbox"/> B	<input type="checkbox"/> C	<input type="checkbox"/> 1	<input type="checkbox"/> 2	<input type="checkbox"/> 3	<input type="checkbox"/> 4		

PEBS-H-125

According to EN60947-2, AS/NZS IEC 60947.2: 2015.				
Pole	1P	2P	3P	4P
Rated Working Voltage U <sub>e</sub>	250 V DC	500 V DC	750 V DC	1000 V DC
Frame Current	125A			
Rated Current I <sub>n</sub>	63A, 80A, 100A, 125A			
Rated Insulation Voltage U <sub>i</sub>	1000V			
Rated Impulse Withstand Voltage U <sub>imp</sub>	6kV			
Tripping Characteristics	B/C			
Tripping Type	Thermal Magnetic			
Rated Ultimate Short-Circuit Breaking Capacity I <sub>cu</sub>	15kA(In≤100A), 10kA(In=125A)			
Rated Service Short-Circuit Interrupting Capacity I <sub>cs</sub>	10kA(In≤100A), 7.5kA(In=125A)			
Electrical Life	Actual	> 1500 Cycles		
	Standard	300 Cycles		
Mechanical Life	Actual	> 10000 Cycles		
	Standard	9700 Cycles		
Overvoltage Category	III			
Pollution Degree	3			
Ingress Protection	IP40; Wiring port IP20			
Resistance to humidity and heat	Class 2			
Relative Humidity	≤ 95 %			
Vibration	acc. to IEC60068-2-6			
Shocks	acc. to IEC60068-2-27			
Terminal capacity	2.5~35mm <sup>2</sup>			
Fastening Torque of Terminals	2.0 ~ 3.5 Nm			
Ambient Temperature	-30°C~70°C			
Storage Temperature	-40°C~85°C			
Installation Method	DIN			
Elevation	≤2000m			
Dimension (4P)	length: 108mm			
	Width:89mm			
	High: 75.5mm			
Weight				

## Technical data

## PEBS-L

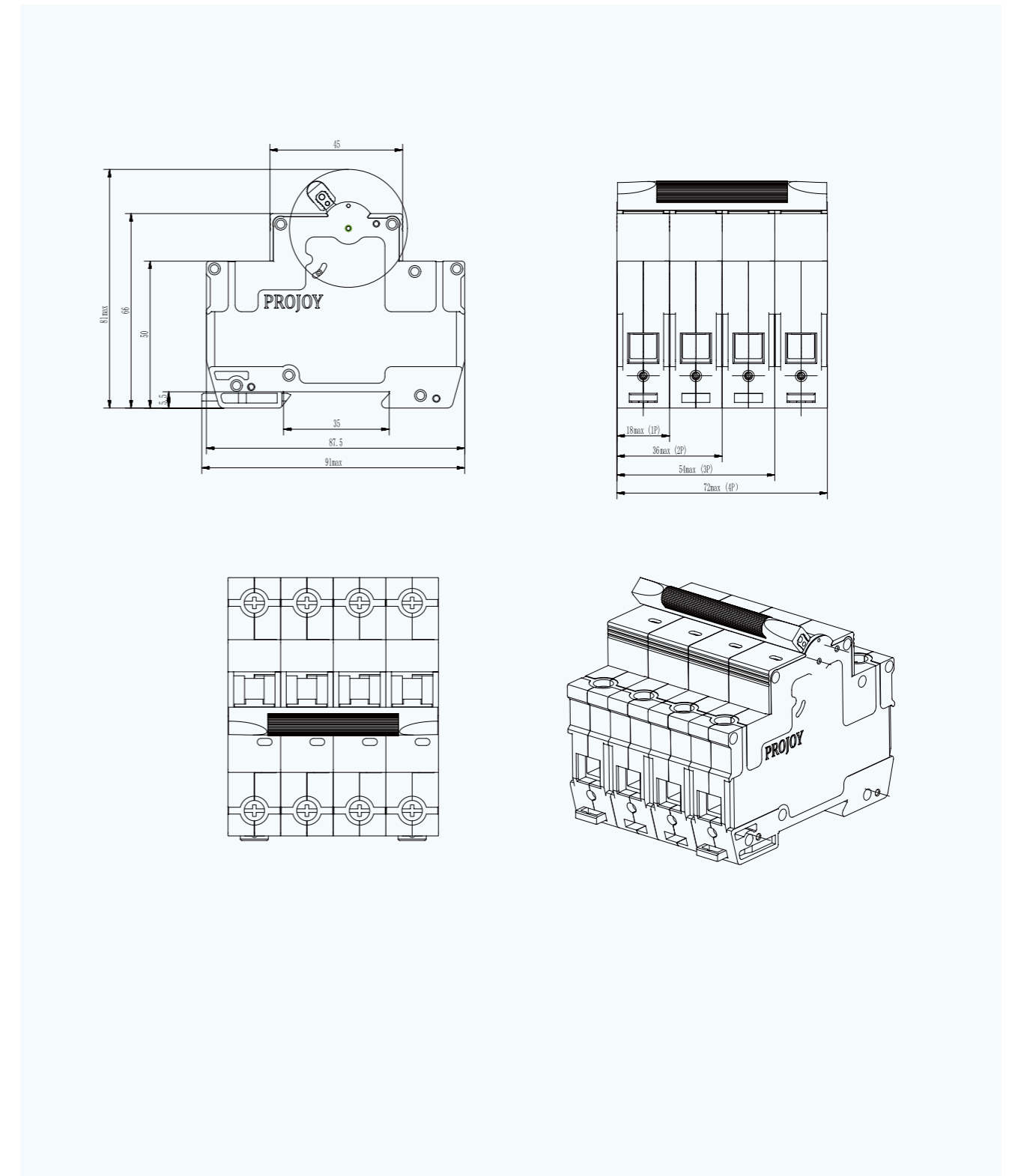
According to EN60947-2, AS/NZS IEC 60947.2: 2015.			
Pole		1P	2P
Rated Working Voltage $U_e$		80VDC	160VDC
Frame Current		125A	125A
Rated Current In	63A Frame	10A, 16A, 20A, 25A, 32A, 40A, 50A, 63A	
	125A Frame	63A, 80A, 100A, 125A	
Rated Insulation Voltage $U_i$		500V	
Rated Impulse Withstand Voltage $U_{imp}$		6kV	
Tripping Characteristics		B/C	
Tripping Type		Thermal Magnetic	
Rated Ultimate Short-Circuit Breaking Capacity $I_{cu}$		10kA	
Rated Service Short-Circuit Interrupting Capacity $I_{cs}$		7.5kA	
Electrical Life	Actual	500 Cycles (63A Frame), 500 Cycles (125A Frame)	
	Standard	300 Cycles	
Mechanical Life	Actual	10000 Cycles (63A Frame), 10000 Cycles (125A Frame)	
	Standard	9700 Cycles	
Overvoltage Category		III	
Pollution Degree		3	
Ingress Protection		IP40; Wiring port IP20	
Resistance to humidity and heat		Class 2	
Relative Humidity		≤ 95 %	
Vibration		acc. to IEC60068-2-6	
Shocks		acc. to IEC60068-2-27	
Terminal capacity		2.5~35mm <sup>2</sup>	
Fastening Torque of Terminals		2.0 ~ 3.5 Nm	
Ambient Temperature		-30°C~70°C	
Storage Temperature		-40°C~85°C	
Installation Method		DIN	
Elevation		≤2000m	
		length: 81mm	length: 108mm
Dimension (4P)		Width:72mm	Width:89mm
		High: 87.5mm	High: 75.5mm
Weight		0.12kg/Pole	

Package Information					Storage
Current	Pole	Box	Carton	Pallet	Products should be stored in the warehouse where there is ventilation. The relative humidity there should not exceed 80%, and the ambient temperature there is between -40°C to + 85°C. In addition, there should not be acidic, alkaline and corrosive gas in the air.
125A	1P	10	8	60	
	2P	5	8	60	
63A	1P	12	8	80	
	2P	6	8	80	

### Order Choosing Specification

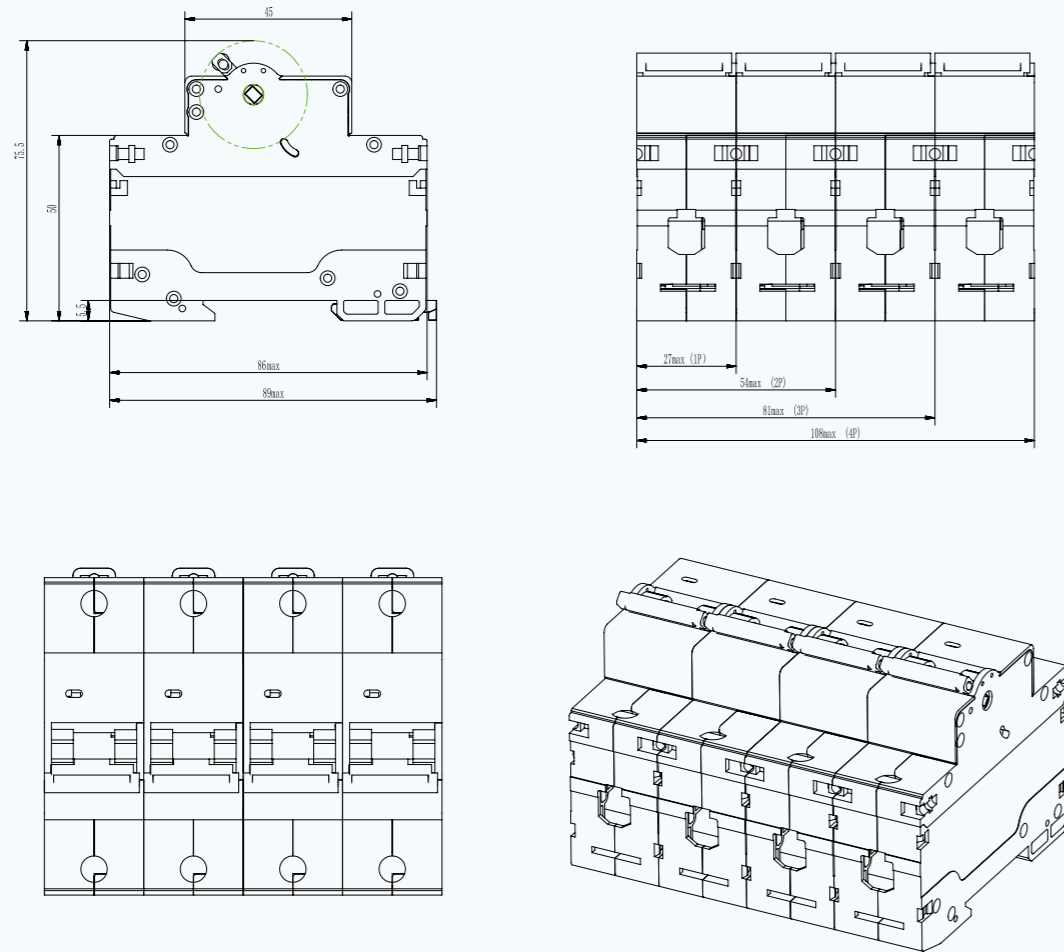
Client Information:		Note: One pole for 80V, 2 poles for 80V or 160.				
Rated Current (A)	Trip Type	Voltage	No. of Pole	Quantity	Delivery Date	
63AFrame <input type="checkbox"/> 63 <input type="checkbox"/> 50 <input type="checkbox"/> 40 <input type="checkbox"/> 32 <input type="checkbox"/> 25 <input type="checkbox"/> 20 <input type="checkbox"/> 16 <input type="checkbox"/> 10	<input type="checkbox"/> B <input type="checkbox"/> C	<input type="checkbox"/> 80 <input type="checkbox"/> 160	<input type="checkbox"/> 1 <input type="checkbox"/> 2			
125AFrame <input type="checkbox"/> 125 <input type="checkbox"/> 100 <input type="checkbox"/> 80 <input type="checkbox"/> 63	<input type="checkbox"/> B <input type="checkbox"/> C	<input type="checkbox"/> 80 <input type="checkbox"/> 160	<input type="checkbox"/> 1 <input type="checkbox"/> 2			
63AFrame <input type="checkbox"/> 63 <input type="checkbox"/> 50 <input type="checkbox"/> 40 <input type="checkbox"/> 32 <input type="checkbox"/> 25 <input type="checkbox"/> 20 <input type="checkbox"/> 16 <input type="checkbox"/> 10	<input type="checkbox"/> B <input type="checkbox"/> C	<input type="checkbox"/> 80 <input type="checkbox"/> 160	<input type="checkbox"/> 1 <input type="checkbox"/> 2			
125AFrame <input type="checkbox"/> 125 <input type="checkbox"/> 100 <input type="checkbox"/> 80 <input type="checkbox"/> 63	<input type="checkbox"/> B <input type="checkbox"/> C	<input type="checkbox"/> 80 <input type="checkbox"/> 160	<input type="checkbox"/> 1 <input type="checkbox"/> 2			

## Dimensions



**Dimensions**

PEBS-H/L-125



**PROJOY**  
electric  
— Switch To Safety! —

**ProJoy Electric Co., Ltd.**

2nd Floor, Building 3, No. 2266, Taiyang Road, Xiangcheng District, Suzhou, China

Tel: +86 512 6878 6489 | Fax: +86 512 6878 6489

Email: sales@projoy-electric.com | www.projoy-electric.com