



PROJOY
electric

— Switch To Safety! —

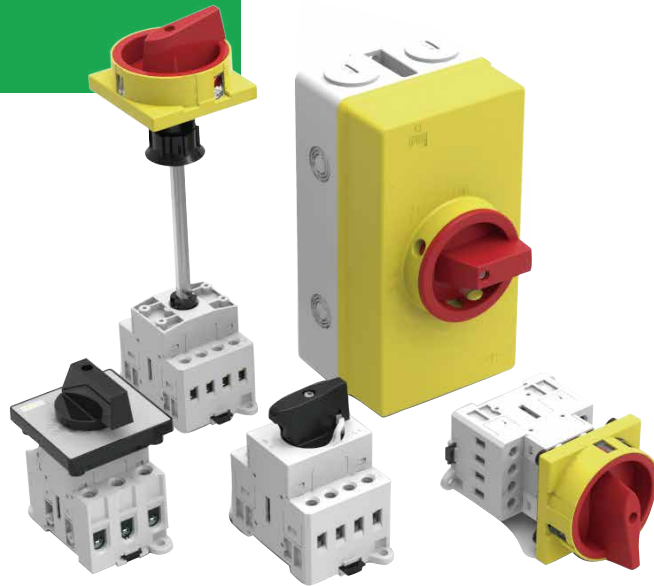
PEAS AC Isolator Switch

PEAS69 AC ISOLATOR SWITCH



PEAS69

AC Isolated Switch

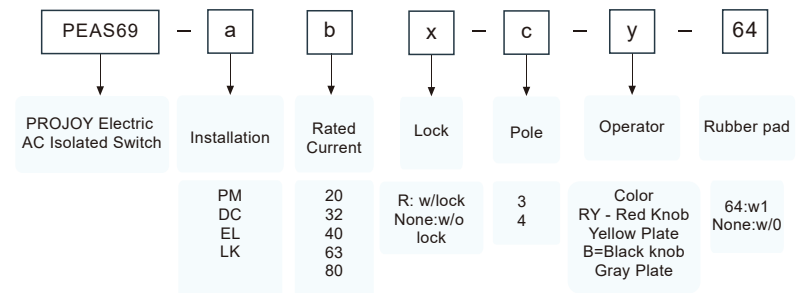


Features

- Industrial control machinery and various machines are applied.
- With alloy contacts, electrical silver long life and high reliability.
- Small, space-saving installation.
- Rated load current of 20A, 32A, 40A, 63A, 80A.
- Construct a protective finger to make the operation safe.
- With a variety of installation ease of application of various purpose (panel mount, rail mount, saeled swith box type).
- IP66 degree of protection.



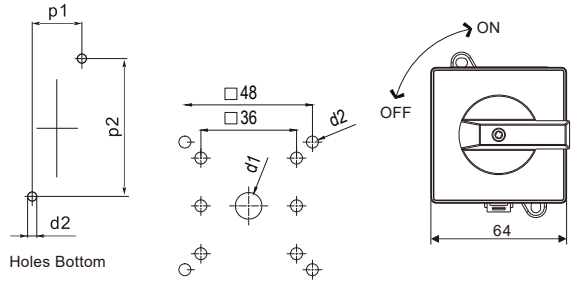
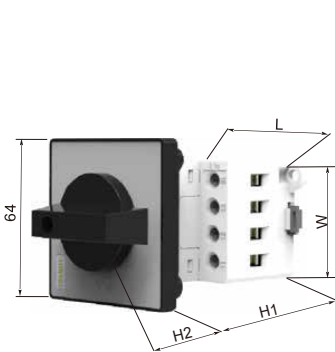
Select Code



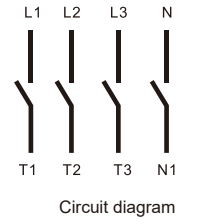
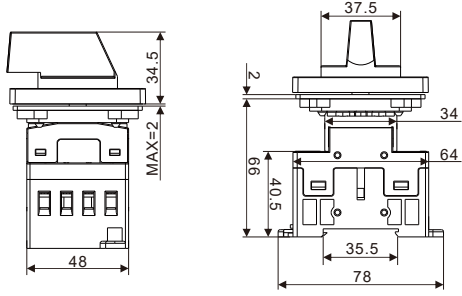
Specifications

Model		PEAS69-20	PEAS69-32	PEAS69-40	PEAS69-63	PEAS69-80
Rated operating current AC-23A(A)		20	32	40	63	80
Rated operating current AC-3(A)		12	23	30	37	37
Rated power control (kW) AC - 23A	240V	4	7.5	9	15	15
	440V	7.5	12.5	16	22	22
Rated power control (kW) AC - 3	240V	3	5.5	7.5	11	11
	440V	5.5	11	15	18.5	18.5
Rated power control (kW) UL -CSA	240V	3	5	5	10	10
	440V	7.5	10	10	20	20
Rated short-time withstand current(A)		250	400	500	600	850
Connect wires		0.5-10mm ²		1-16mm ²		
Screw torque		0.8-1.7N . m		1.5-2N . m		
Rated insulation voltage		690V				

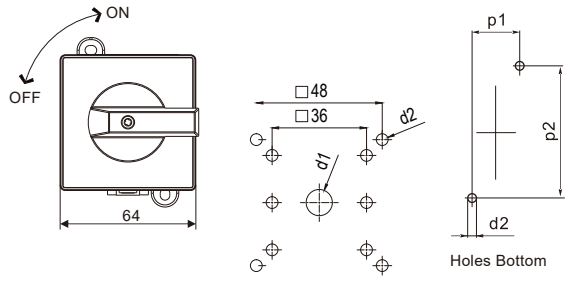
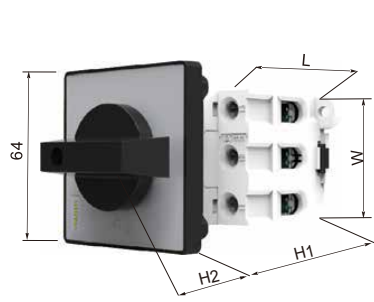
Panel Mounting



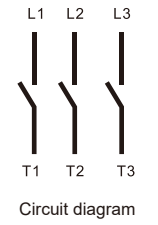
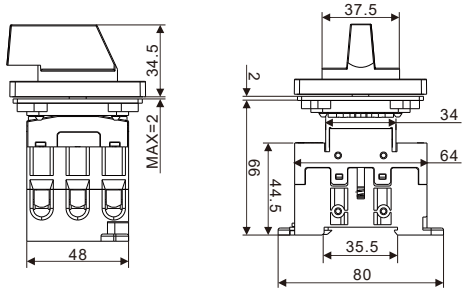
Head panel installation size
 A: 4 hole, center distance 48(no gasket)
 B: 4 hole, center distance 36(4 hole gasket)
 C: 2 hole, center distance 36(2 hole gasket)



Model	Dimensions				Holes on Panel		Holes on Bottom	
	H1	H2	L	W	d1	d2	p1	p1
PEAS69-PM20-4	66	34.5	64	48	10	4.5	35	68
PEAS69-PM32-4	66	34.5	64	48	10	4.5	35	68
PEAS69-PM40-4	66	34.5	64	48	10	4.5	35	68

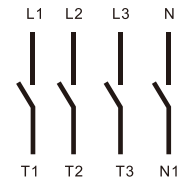
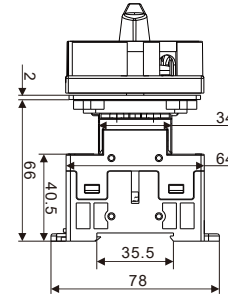
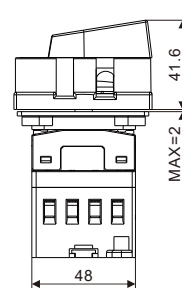
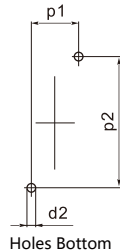
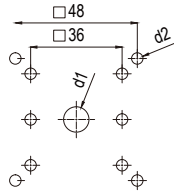
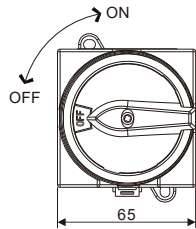
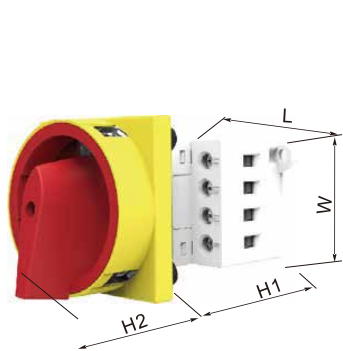


Head panel installation size
 A: 4 hole, center distance 48(no gasket)
 B: 4 hole, center distance 36(4 hole gasket)
 C: 2 hole, center distance 36(2 hole gasket)



Model	Dimensions				Holes on Panel		Holes on Bottom	
	H1	H2	L	W	d1	d2	p1	p1
PEAS69-PM63-3	66	34.5	64	48	10	4.5	35	68
PEAS69-PM80-3	66	34.5	64	48	10	4.5	35	68

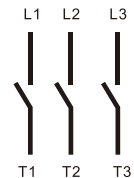
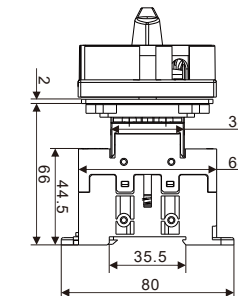
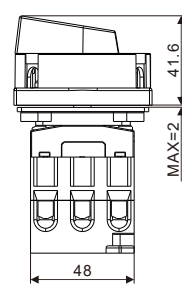
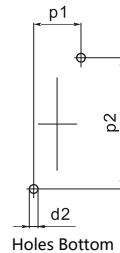
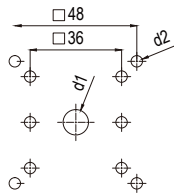
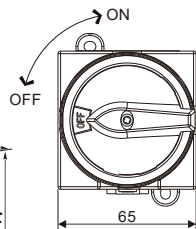
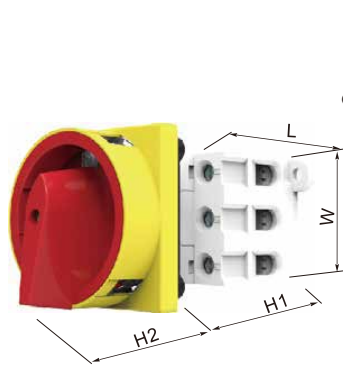
Distribution Board



Circuit diagram

Head panel installation size:
A: 4 hole, center distance 48(no gasket)
B: 4 hole, center distance 36(4 hole gasket)

Model	Dimensions				Holes on Panel		Holes on Bottom	
	H1	H2	L	W	d1	d2	p1	p1
PEAS69-PM20R-4RY64	66	41.6	64	48	10	4.5	35	68
PEAS69-PM32R-4RY64	66	41.6	64	48	10	4.5	35	68
PEAS69-PM40R-4RY64	66	41.6	64	48	10	4.5	35	68



Circuit diagram

Head panel installation size
The three installation methods in the figure:
A: 4 hole, center distance 48(no gasket)
B: 4 hole, center distance 36(4 hole gasket)

Model	Dimensions				Holes on Panel		Holes on Bottom	
	H1	H2	L	W	d1	d2	p1	p1
PEAS69-PM63R-3RY64	66	41.6	64	48	10	4.5	35	68
PEAS69-PM80R-3RY64	66	41.6	64	48	10	4.5	35	68

Distribution Board

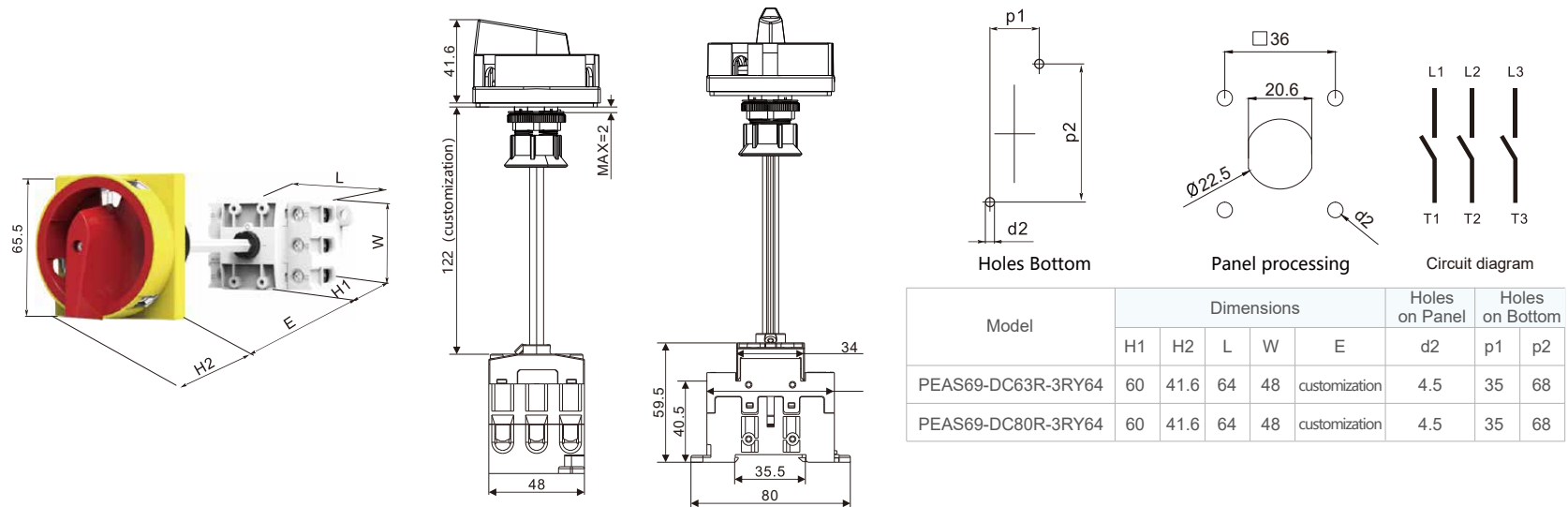
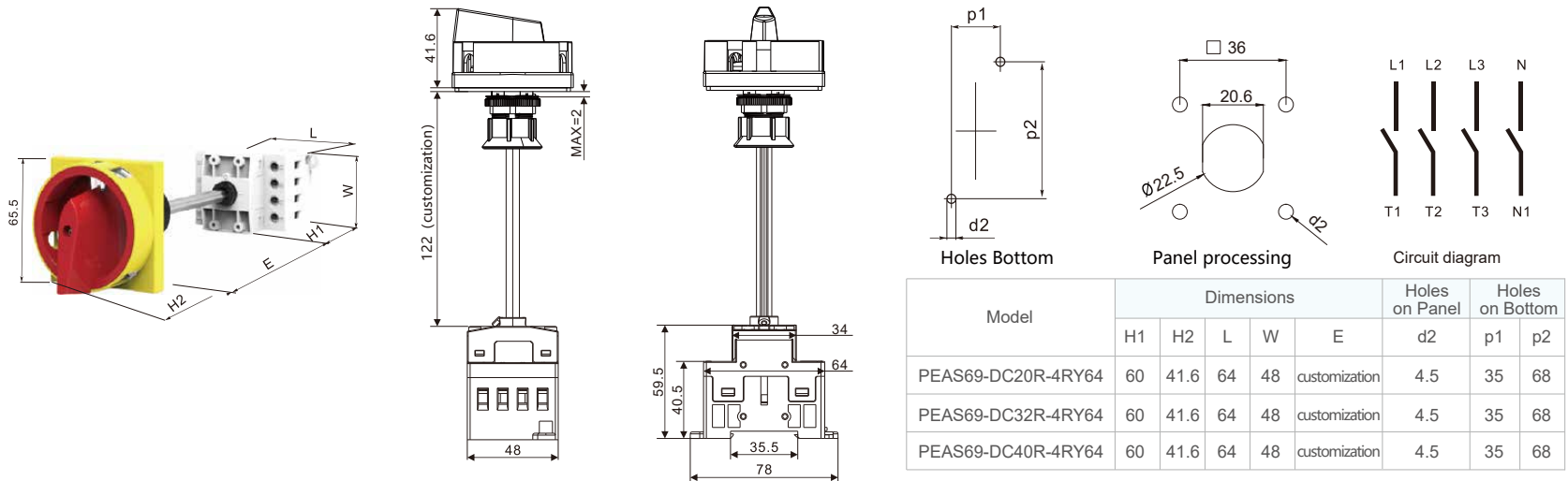
Head panel installation size
A: 4 hole, center distance 48(no gasket)
B: 4 hole, center distance 36(4 hole gasket)

Model	Dimensions				Holes on Panel		Holes on Bottom	
	H1	H2	L	W	d1	d2	p1	p1
PEAS69-PM20R-4B64	66	41.6	64	48	10	4.5	35	68
PEAS69-PM32R-4B64	66	41.6	64	48	10	4.5	35	68
PEAS69-PM40R-4B64	66	41.6	64	48	10	4.5	35	68

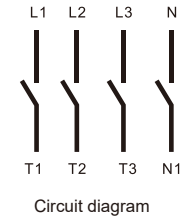
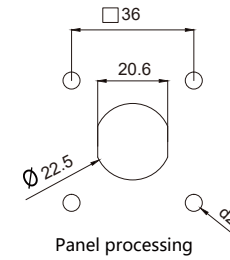
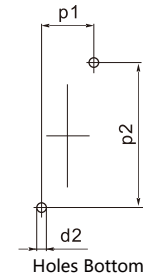
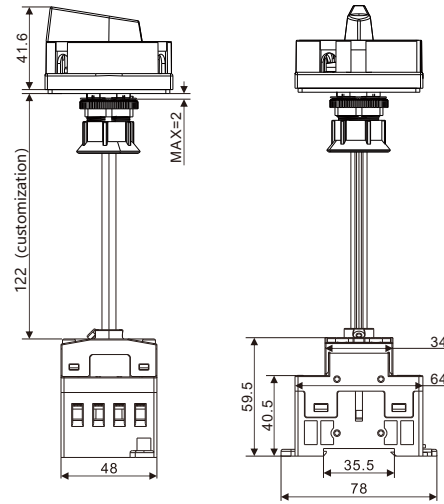
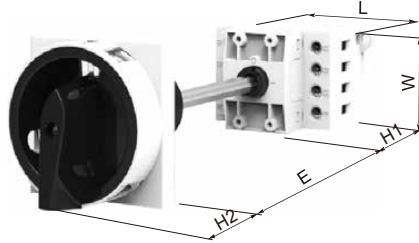
Head panel installation size
A: 4 hole, center distance 48(no gasket)
B: 4 hole, center distance 36(4 hole gasket)

Model	Dimensions				Holes on Panel		Holes on Bottom	
	H1	H2	L	W	d1	d2	p1	p1
PEAS69-PM63R-3B64	66	41.6	64	48	10	4.5	35	68
PEAS69-PM80R-3B64	66	41.6	64	48	10	4.5	35	68

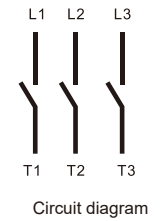
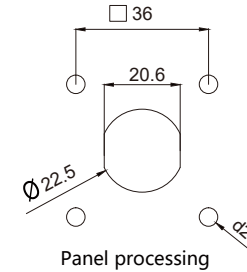
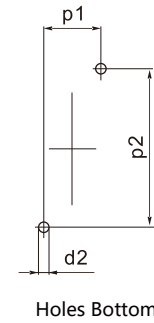
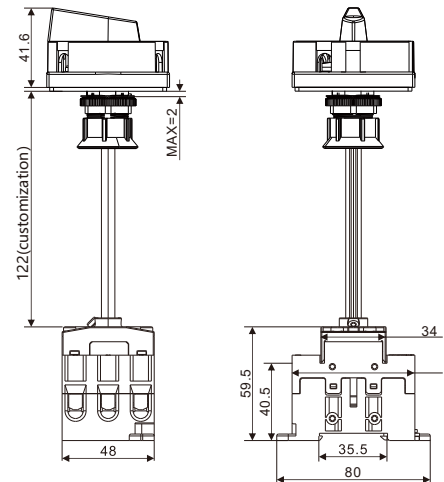
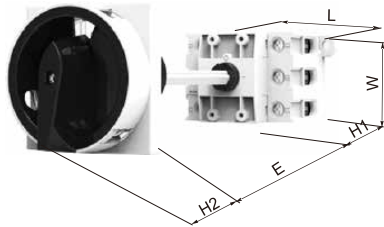
Door Clutch



Door Clutch

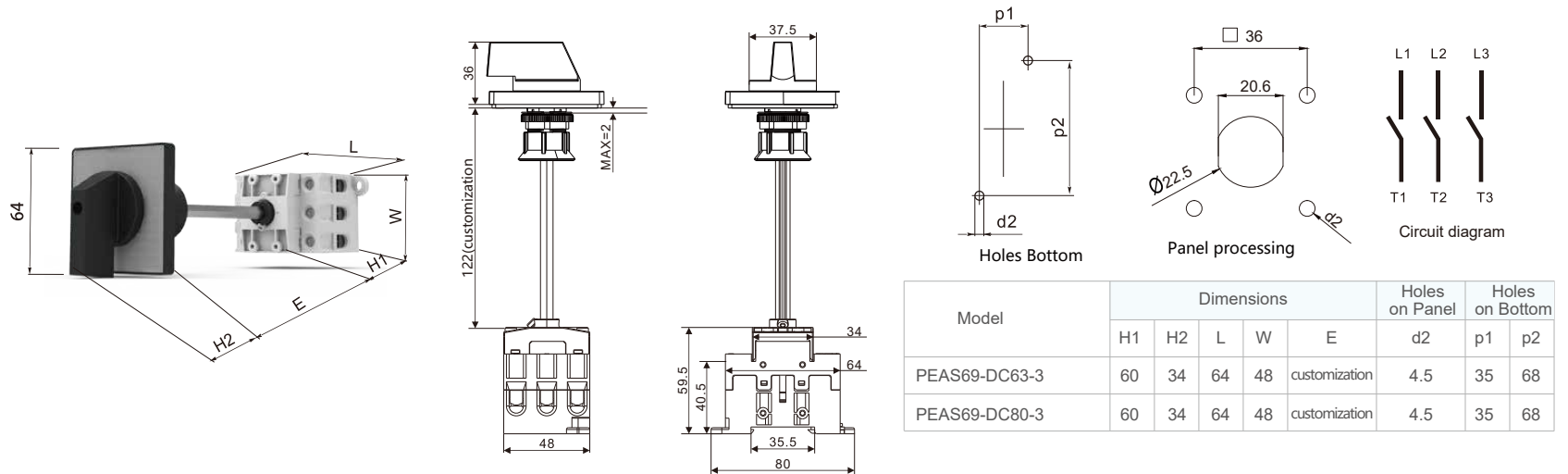
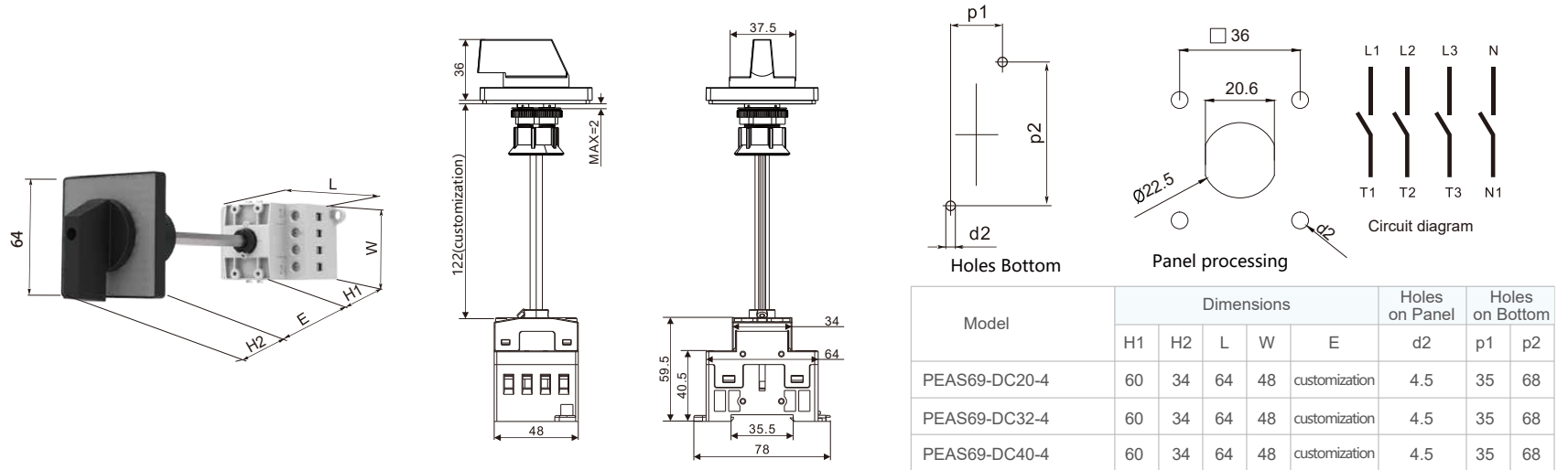


Model	Dimensions					Holes on Panel		Holes on Bottom	
	H1	H2	L	W	E	d2	p1	p2	
PEAS69-DC20R-4B64	60	41.6	64	48	customization	4.5	35	68	
PEAS69-DC32R-4B64	60	41.6	64	48	customization	4.5	35	68	
PEAS69-DC40R-4B64	60	41.6	64	48	customization	4.5	35	68	

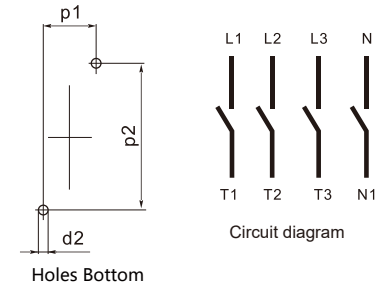
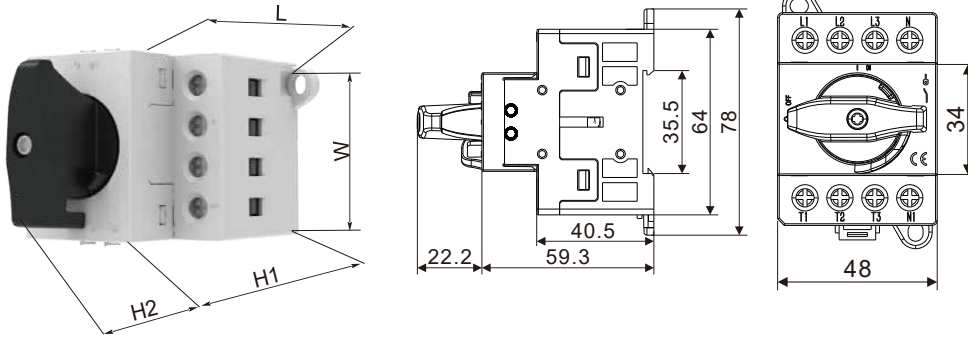


Model	Dimensions					Holes on Panel		Holes on Bottom	
	H1	H2	L	W	E	d2	p1	p2	
PEAS69-DC63R-3B64	60	41.6	64	48	customization	4.5	35	68	
PEAS69-DC80R-3B64	60	41.6	64	48	customization	4.5	35	68	

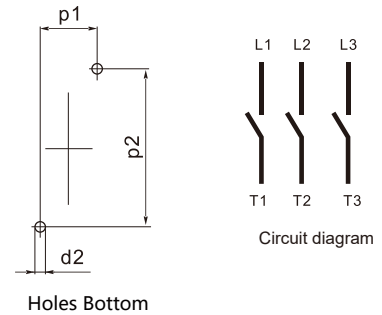
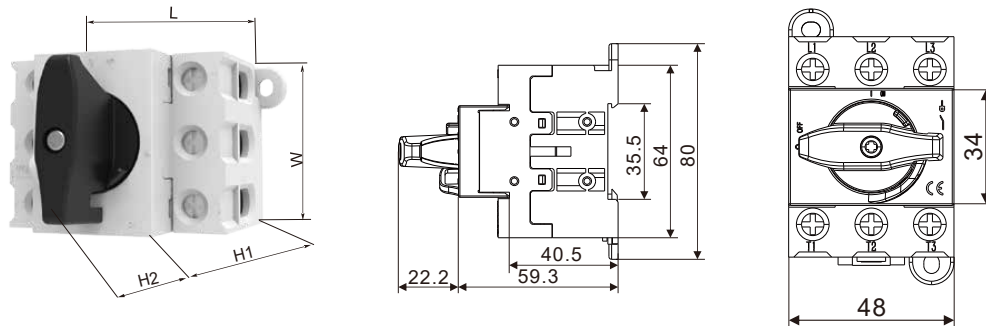
Door Clutch



Distribution Board

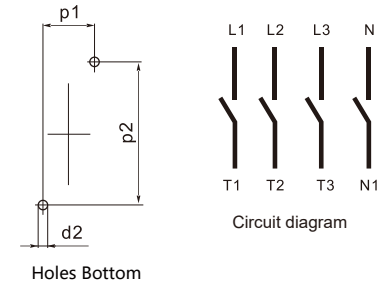
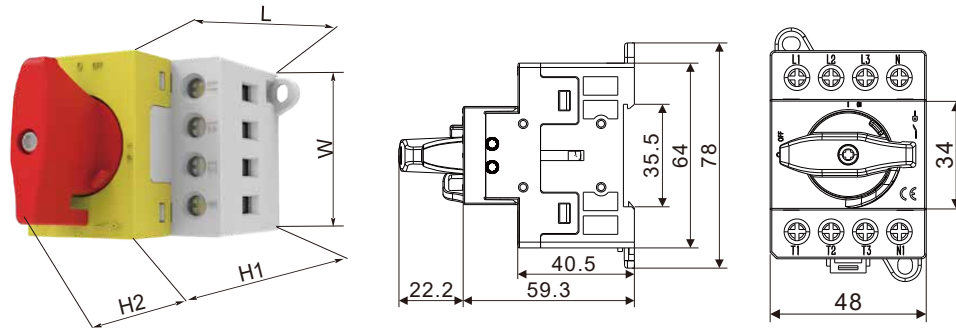


Model	Dimensions						
	H1	H2	L	W	p1	p1	d2
PEAS69-LK20-4	66	22	64	48	35	68	4.5
PEAS69-LK32-4	66	22	64	48	35	68	4.5
PEAS69-LK40-4	66	22	64	48	35	68	4.5

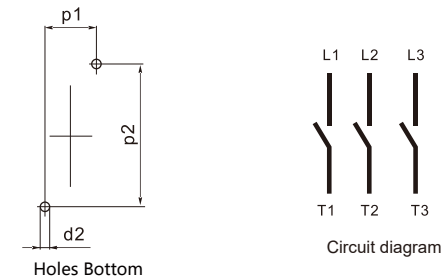
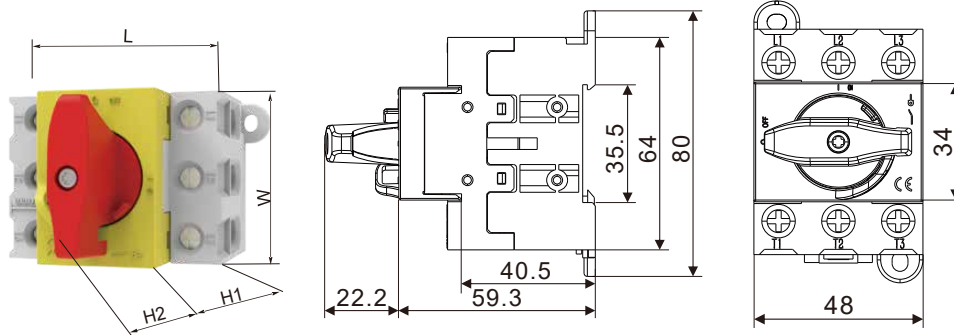


Model	Dimensions				Holes on Panel		Holes on Bottom	
	H1	H2	L	W	d2	p1	p2	
PEAS69-LK63-3	66	34	64	48	4.5	35	68	
PEAS69-LK80-3	66	34	64	48	4.5	35	68	

Distribution Board

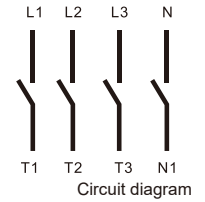
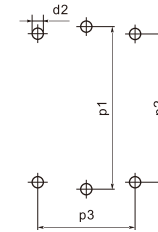
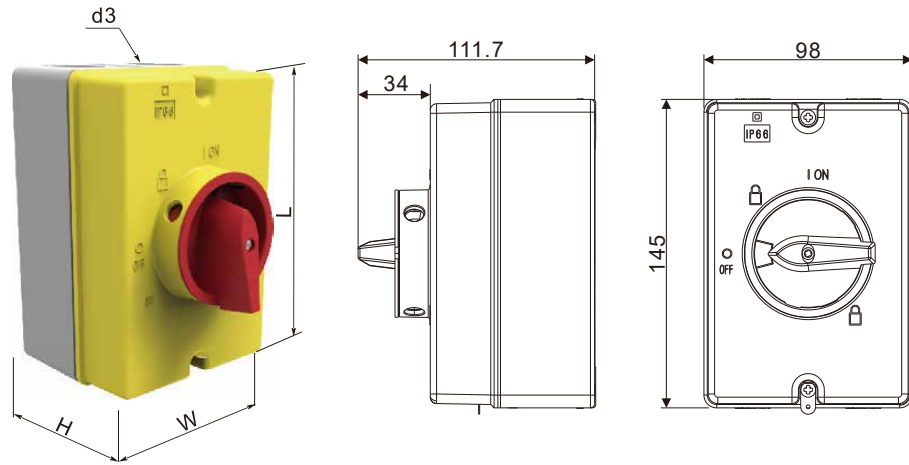


Model	Dimensions							
	H1	H2	L	W	d2	p1	p2	
PEAS69-LK20-4RY	66	22	64	48	4.5	35	68	
PEAS69-LK32-4RY	66	22	64	48	4.5	35	68	
PEAS69-LK40-4RY	66	22	64	48	4.5	35	68	

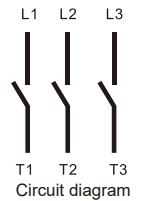
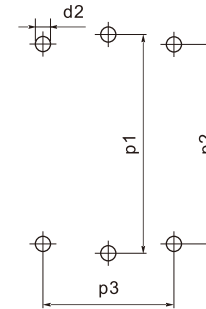
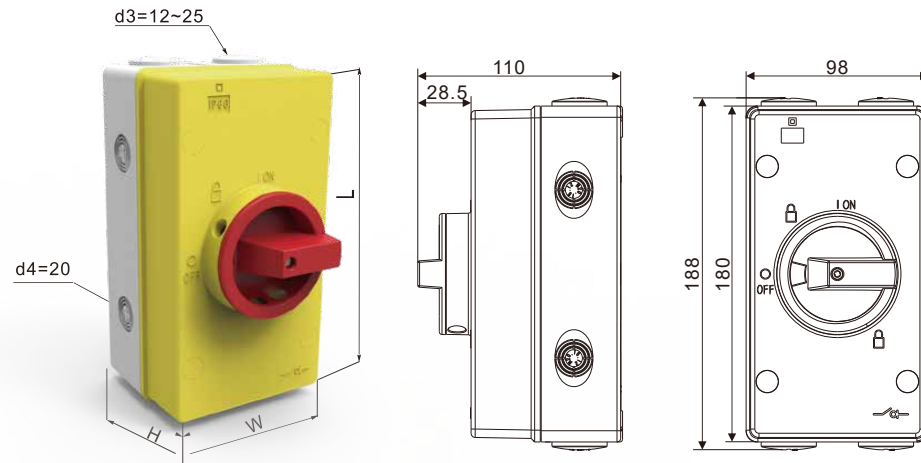


Model	Dimensions				Holes on Panel		Holes on Bottom	
	H1	H2	L	W	d2	p1	p2	
PEAS69-LK63-3RY	66	34	64	48	4.5	35	68	
PEAS69-LK80-3RY	66	34	64	48	4.5	35	68	

Enclosure Series



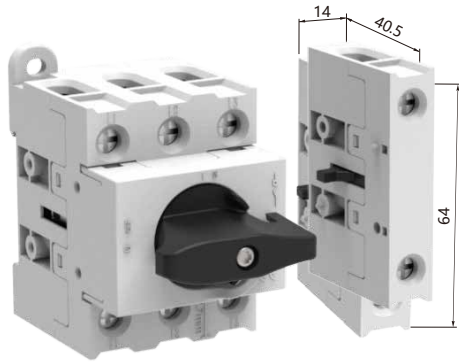
Model	Dimensions				Holes Dimensions			
	d3	W	H	L	p1	p2	p3	d2
PEAS69-EL20R-4	25	98	80	145	134	115	81	4.2
PEAS69-EL32R-4	25	98	80	145	134	115	81	4.2
PEAS69-EL40R-4	25	98	80	145	134	115	81	4.2



Model	Dimensions					Holes Dimensions			
	d3	d4	W	H	L	p1	p2	p3	d2
PEAS69-EL63R-3	66	34	64	48	10	4.5	35	68	4.2
PEAS69-EL80R-3	66	34	64	48	10	4.5	35	68	4.2

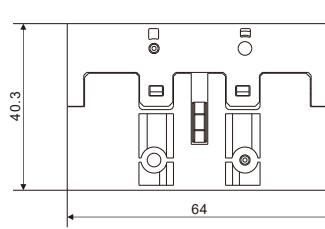
Add-on Auxiliary Contacts

One add-on block suitable for all the PEAS69 AC Isolated Switches to have simultaneous operation with the switch poles.

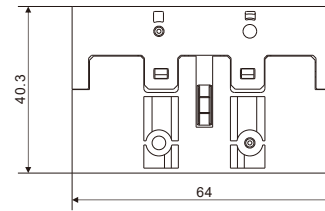
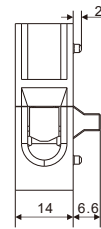


PEAS69-ACC

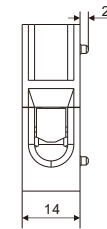
Mounting and removal of auxiliary contact are quick and simple without tools.




PEAS69-ACC01/02



PEAS69-ACC03



Circuit diagram

Appearance	Type	Rated operation current	Applied to	Circuit diagram
	PEAS69-ACC01	80A	PEAS69	
	PEAS69-ACC02	80A	PEAS69	
	PEAS69-ACC03	-	PEAS69	

PEAS50- EL20-N



PROJOY
electric

– Switch To Safety! –


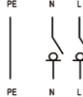
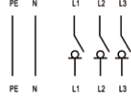
CLOSURE AC ISOLATOR

PEAS50 series isolating switch has waterproof and dustproof function, which can effectively prevent the entry of dust and oil. It will not affect the performance of the product in rain or strong water; It can perfectly solve the need for safe use of electricity in harsh outdoor environments such as rain, dust, freezing, high temperature and strong ultraviolet rays.

Features

- The mounting mechanism of the switch base junction box provides a larger, more convenient wiring position
- The PE installation rod and the N screw rod are close to each other, which can effectively fix all the cables. The housing is reliably clamped to prevent liquid from entering
- The switch uses a two-handle design with an external handle as the primary control handle, away from the electric body. Screws are made of plastic screws, which further increase insulation and improve safety.
- Each device is equipped with two M25-M20 adapters, which are convenient for customers to install M25/M20 cable connectors. Cable connectors must be equipped with waterproof rubber pads to ensure IP rating.
- Use a deep-processed tailgate with a 7 mm diameter hole in the “OFF” position for padlocks during maintenance or overhaul. Prevent accidents caused by misuse and ensure safety
- All products meet the IEC60947-3 standard and can supply safe and reliable isolators in any harsh working environment.



PEAS-N	PEAS50-EL20-1N	PEAS50-EL20-2N	PEAS50-EL20-3N
Contacts Wiring Diagram			
Free air thermal current (<i>I_{th}</i>)	20A	20A	20A
Enclosed thermal current (<i>I_{the}</i>)	20A	20A	20A
Rated insulation Voltage(<i>U_i</i>)	500V		
Rated Impulse Withstand Voltage	4.0kV		
Rated operational voltage(<i>U_e</i>)	250Vac(1P) 440Vac(2P/3P)		
Rated operational current(IEC60947.3) at 440V AC-22A	20A	20A	20A
Short time withstand current(<i>I_{cw}</i>)	0.76kA,1s		
Short-circuit making capacity	1.5kA		
Mechanical Endurance with current	1500		
Mechanical Endurance without current	8500		
Degree of Protection	IP66		
Conduit Entries	4XM25		
Padlock max diameter	6mm		
Max.Cable Size mm ² (Mains)	25		
Max.Cable Size mm ² (N/E)	16		

PEAS50- EL35-N



PROJOY
electric

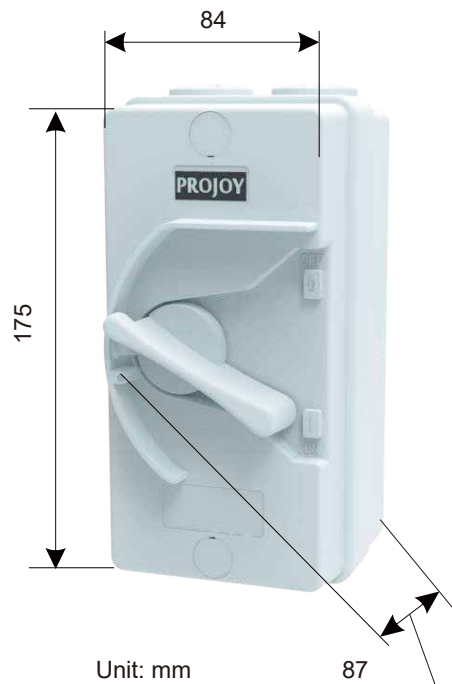
– Switch To Safety! –

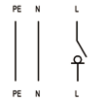
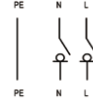
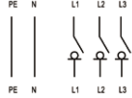
CLOSURE AC ISOLATOR

PEAS50 series isolating switch has waterproof and dustproof function, which can effectively prevent the entry of dust and oil. It will not affect the performance of the product in rain or strong water; It can perfectly solve the need for safe use of electricity in harsh outdoor environments such as rain, dust, freezing, high temperature and strong ultraviolet rays.

Features

- The mounting mechanism of the switch base junction box provides a larger, more convenient wiring position.
- The PE installation rod and the N screw rod are close to each other, which can effectively fix all the cables. The housing is reliably clamped to prevent liquid from entering
- The switch uses a two-handle design with an external handle as the primary control handle, away from the electric body. Screws are made of plastic screws, which further increase insulation and improve safety.
- Each device is equipped with two M25-M20 adapters, which are convenient for customers to install M25/M20 cable connectors. Cable connectors must be equipped with waterproof rubber pads to ensure IP rating.
- Use a deep-processed tailgate with a 7 mm diameter hole in the “OFF” position for padlocks during maintenance or overhaul. Prevent accidents caused by misuse and ensure safety
- All products meet the IEC60947-3 standard and can supply safe and reliable isolators in any harsh working environment.



PEAS-N	PEAS50-EL35-1N	PEAS50-EL35-2N	PEAS50-EL35-3N
Contacts Wiring Diagram			
Free air thermal current (<i>I_{th}</i>)	35A	35A	35A
Enclosed thermal current (<i>I_{the}</i>)	35A	35A	35A
Rated insulation Voltage(<i>U_i</i>)	500V		
Rated Impulse Withstand Voltage	4.0kV		
Rated operational voltage(<i>U_e</i>)	250Vac(1P) 440Vac(2P/3P)		
Rated operational current(IEC60947.3) at 440V AC-22A	35A	35A	35A
Short time withstand current(<i>I_{cw}</i>)	0.76kA, 1s		
Short-circuit making capacity	1.5kA		
Mechanical Endurance with current	1500		
Mechanical Endurance without current	8500		
Degree of Protection	IP66		
Conduit Entries	4XM25		
Padlock max diameter	6mm		
Max.Cable Size mm ² (Mains)	25		
Max.Cable Size mm ² (N/E)	16		

PEAS50- EL63-N



PROJOY
electric

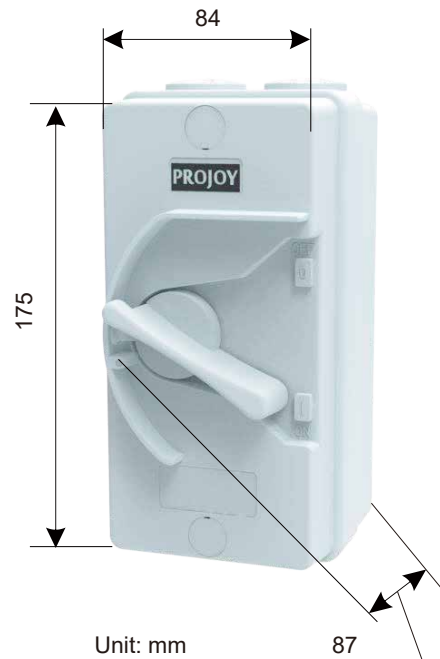
– Switch To Safety! –


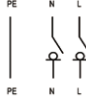
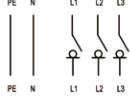
CLOSURE AC ISOLATOR

PEAS50 series isolating switch has waterproof and dustproof function, which can effectively prevent the entry of dust and oil. It will not affect the performance of the product in rain or strong water; It can perfectly solve the need for safe use of electricity in harsh outdoor environments such as rain, dust, freezing, high temperature and strong ultraviolet rays.

Features

- The mounting mechanism of the switch base junction box provides a larger, more convenient wiring position.
- The PE installation rod and the N screw rod are close to each other, which can effectively fix all the cables. The housing is reliably clamped to prevent liquid from entering
- The switch uses a two-handle design with an external handle as the primary control handle, away from the electric body. Screws are made of plastic screws, which further increase insulation and improve safety.
- Each device is equipped with two M25-M20 adapters, which are convenient for customers to install M25/M20 cable connectors. Cable connectors must be equipped with waterproof rubber pads to ensure IP rating.
- Use a deep-processed tailgate with a 7 mm diameter hole in the “OFF” position for padlocks during maintenance or overhaul. Prevent accidents caused by misuse and ensure safety
- All products meet the IEC60947-3 standard and can supply safe and reliable isolators in any harsh working environment.



PEAS-N	PEAS50-EL63-1N	PEAS50-EL63-2N	PEAS50-EL63-3N
Contacts Wiring Diagram			
Free air thermal current (I_{th})	63A	63A	63A
Enclosed thermal current (I_{the})	63A	63A	63A
Rated insulation Voltage (U_i)	500V		
Rated Impulse Withstand Voltage	4.0kV		
Rated operational voltage (U_e)	250Vac(1P) 440Vac(2P/3P)		
Rated operational current (IEC60947.3) at 440V AC-22A	63A	63A	63A
Short time withstand current (I_{cw})	0.76kA, 1s		
Short-circuit making capacity	1.5kA		
Mechanical Endurance with current	1500		
Mechanical Endurance without current	8500		
Degree of Protection	IP66		
Conduit Entries	4XM25		
Padlock max diameter	6mm		
Max.Cable Size mm ² (Mains)	25		
Max.Cable Size mm ² (N/E)	16		



PROJOY
electric
— Switch To Safety! —

ProJoy Electric Co., Ltd.

58 Qinglonggang Road, Tiancheng Times Business Plaza 30F, Suzhou, Jiangsu

Tel: +86 512 6878 6489 | Fax: +86 512 6878 6489

Email: sales@projoy-electric.com | www.projoy-electric.com