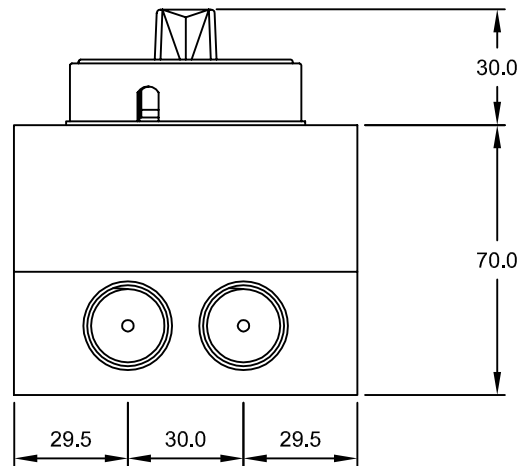
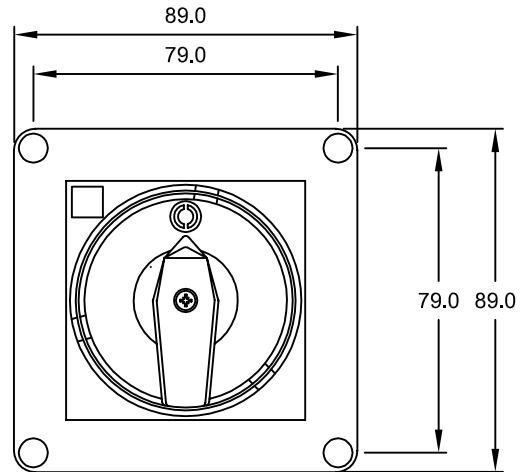
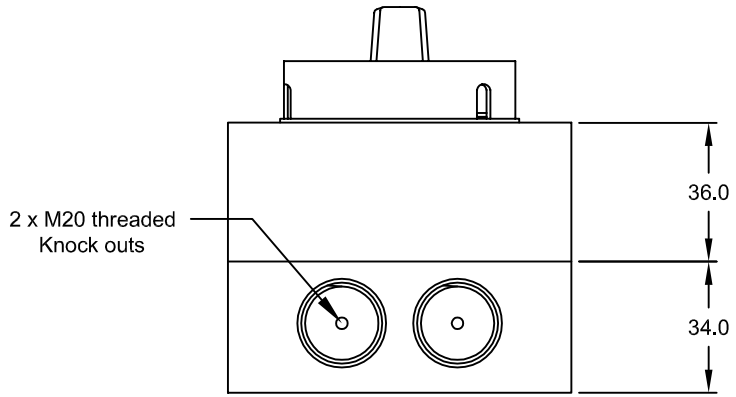


Copyright © Copying of this document, third party distribution or use for manufacturing is strictly forbidden without written permission. All rights and know-how contained herein are explicitly reserved by Santon Switchgear Ltd.

Position of Handle	1	
		OFF
	2	1-2
		3-4
lth	le	Ue
25A	25A	240/440V Ac22



B			
A		A.T	13/07/2011
Rev.		Drn by	Date

SANTON Ref : M25.2

Drn by : A.T Date : 13th July 2011 App. by : H.Wigmore

	<p>Santon Switchgear Ltd. Tel: +44 (0)1633 854 111 Unit 9, Waterside Court Fax: +44 (0)1633 854 999 Newport, NP20 5NT info@santonswitchgear.co.uk South Wales www.santonswitchgear.com</p>	<p>Computer nr. A40729</p>
--	---	-----------------------------------