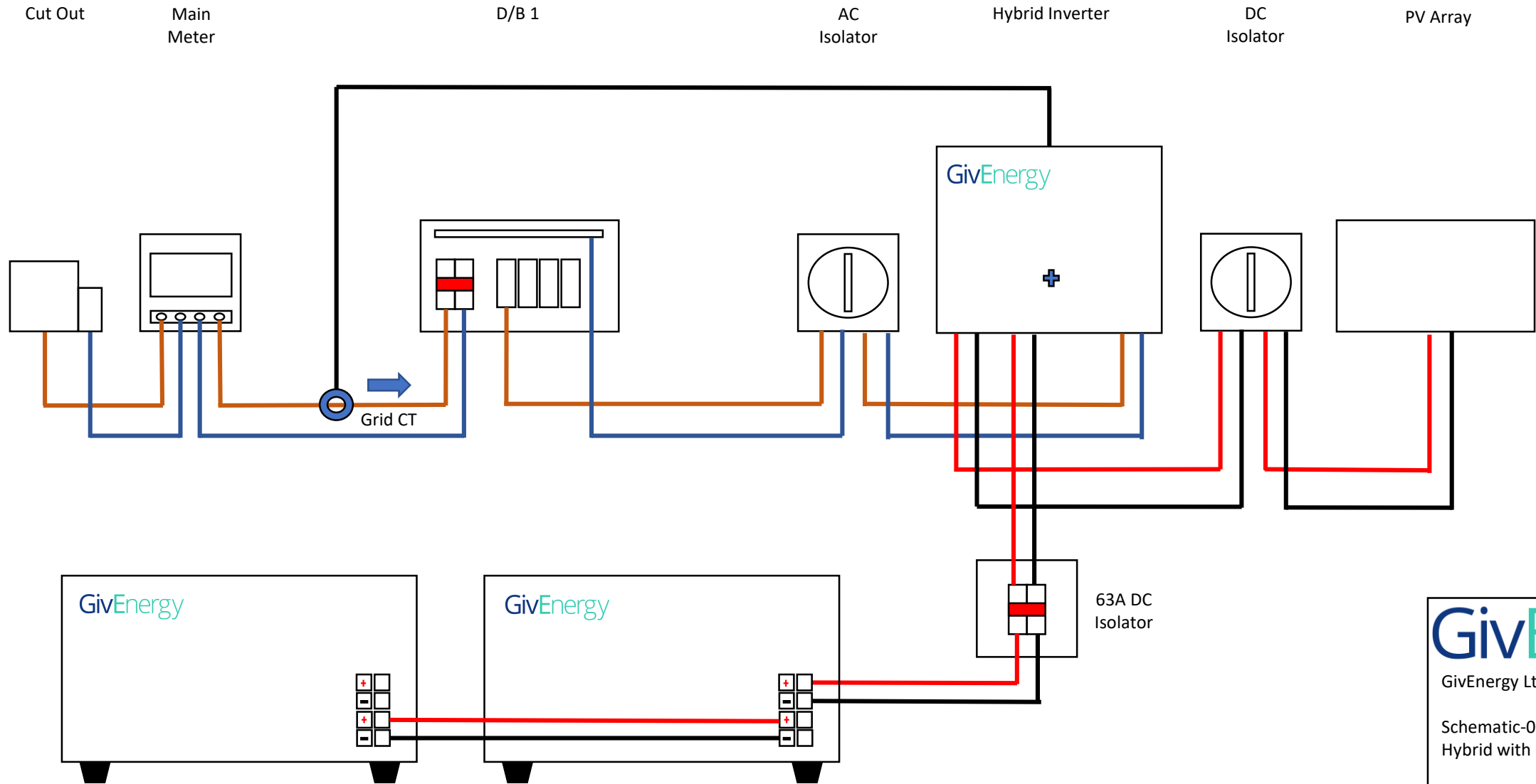


Schematic-00 Hybrid with CT



GivEnergy

GivEnergy Ltd

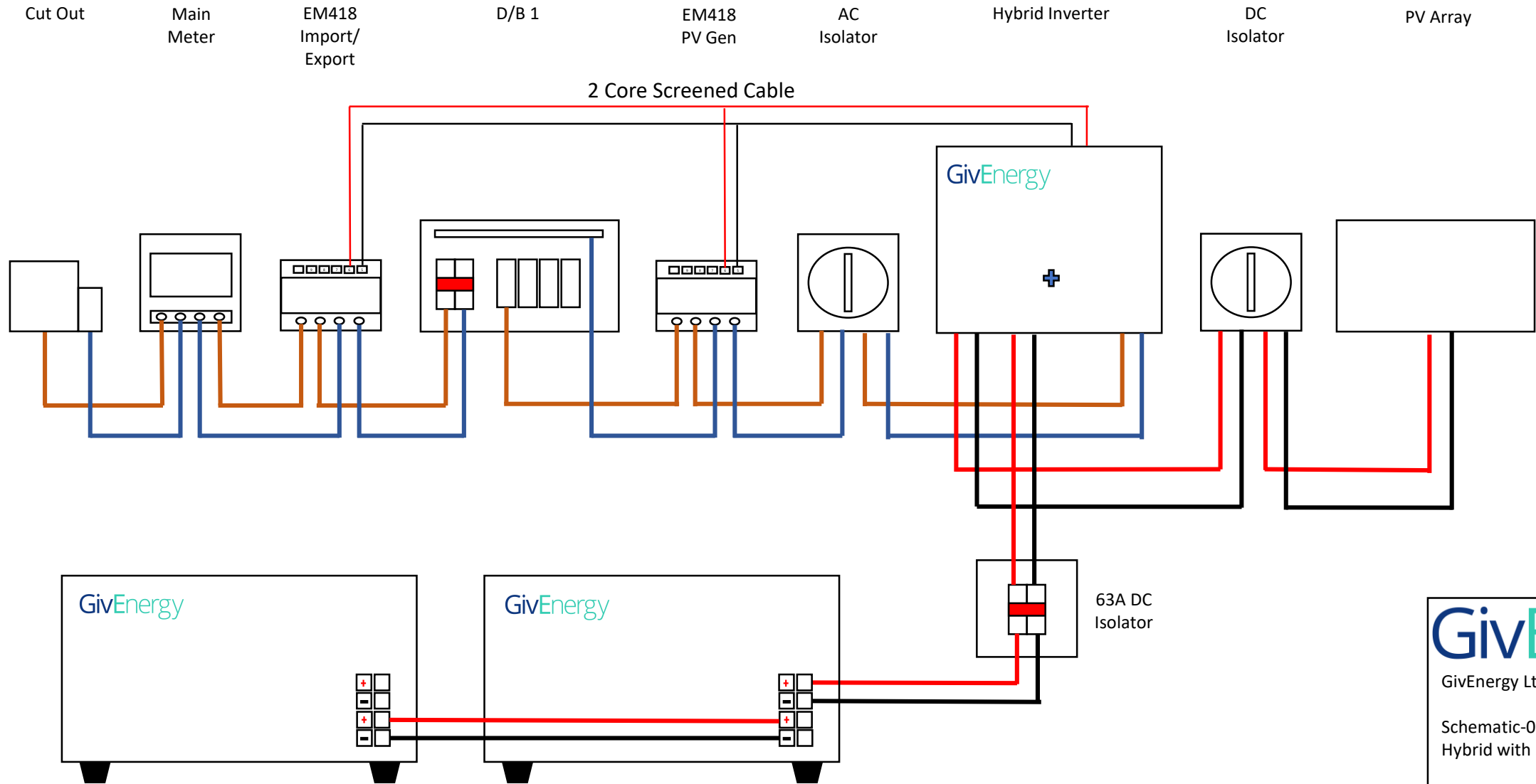
Schematic-00
Hybrid with CT

Date issued: 24-09-2019

Produced By: Dan Lambert

Schematic-01

Hybrid with 2 x EM418



GivEnergy Ltd

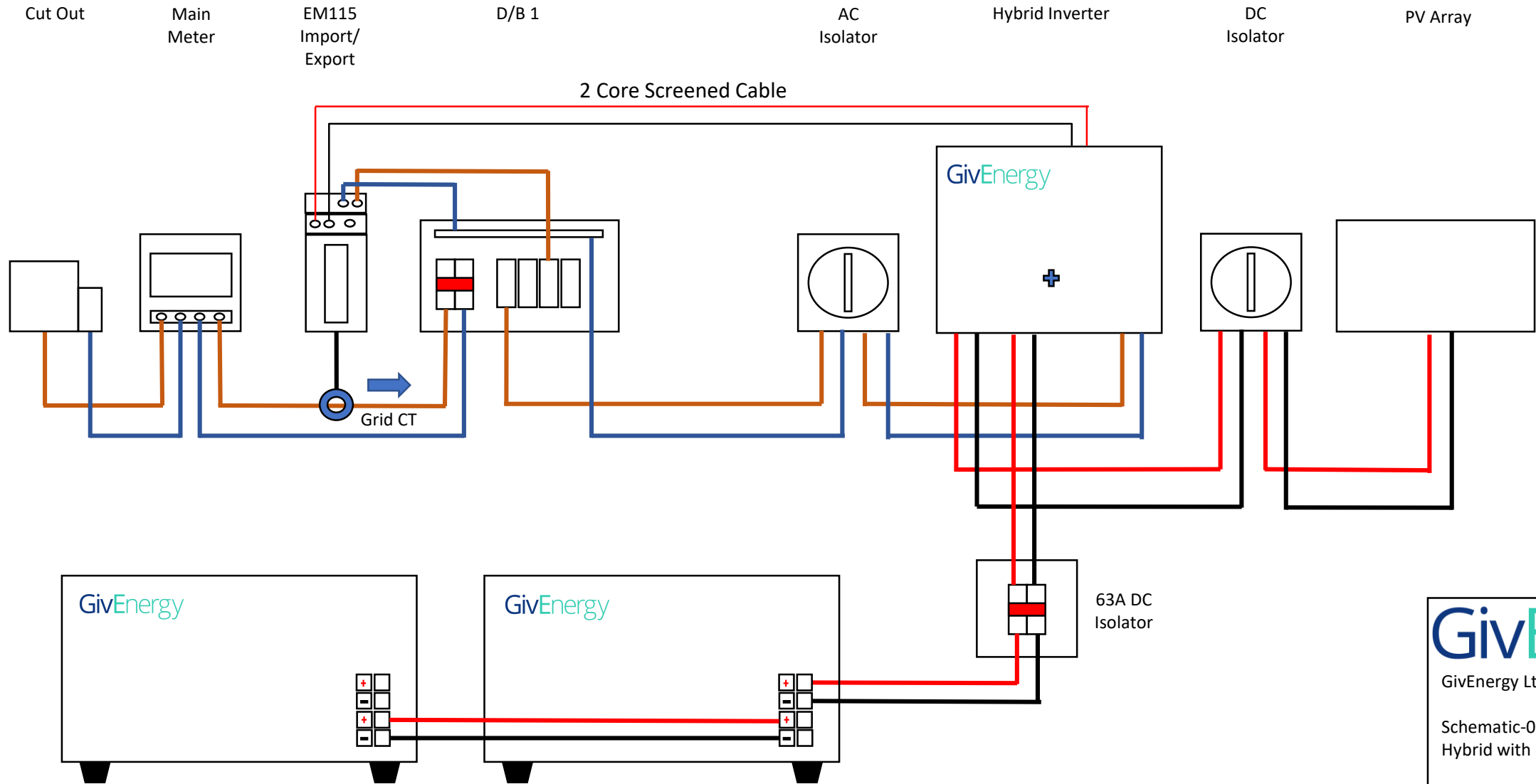
Schematic-01
Hybrid with 2 x EM418

Date issued: 24-09-2019

Produced By: Dan Lambert

Schematic-02

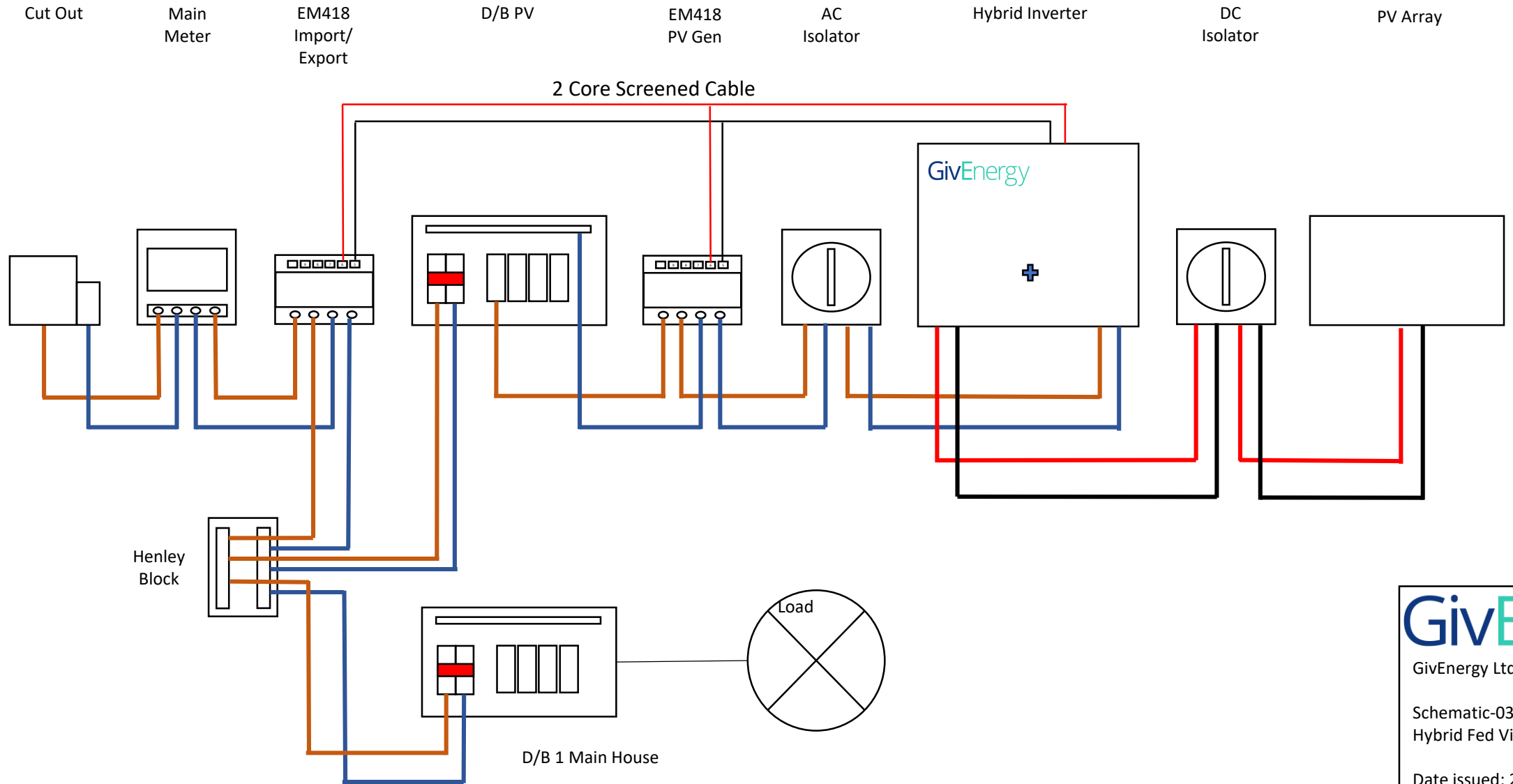
Hybrid with 1 x EM115



GivEnergy Ltd
Schematic-02
Hybrid with 1 x EM115
Date issued: 24-09-2019
Produced By: Dan Lambert

Schematic-03

Hybrid Fed Via Henley Block



GivEnergy

GivEnergy Ltd

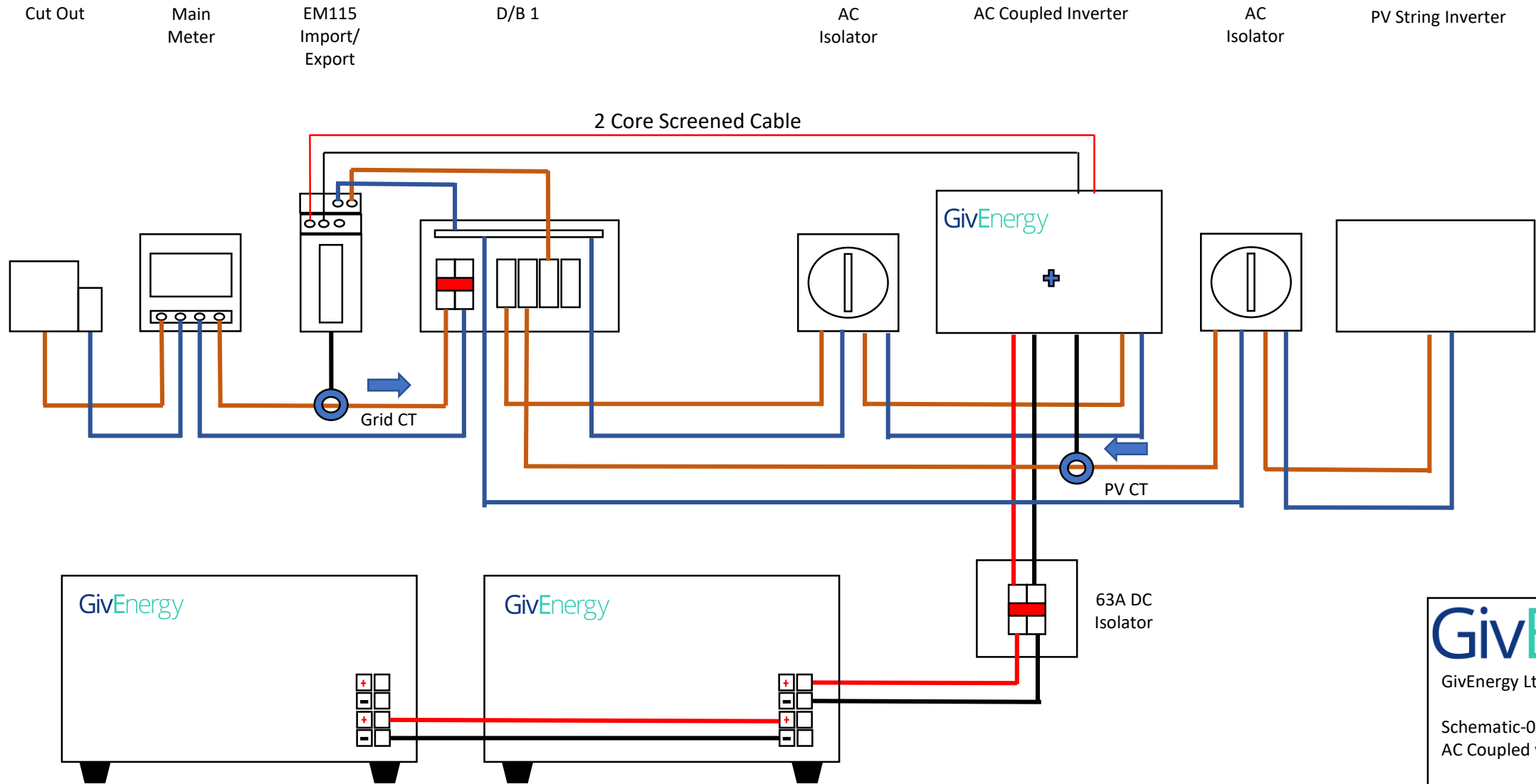
Schematic-03
Hybrid Fed Via Henley Block

Date issued: 24-09-2019

Produced By: Dan Lambert

Schematic-04

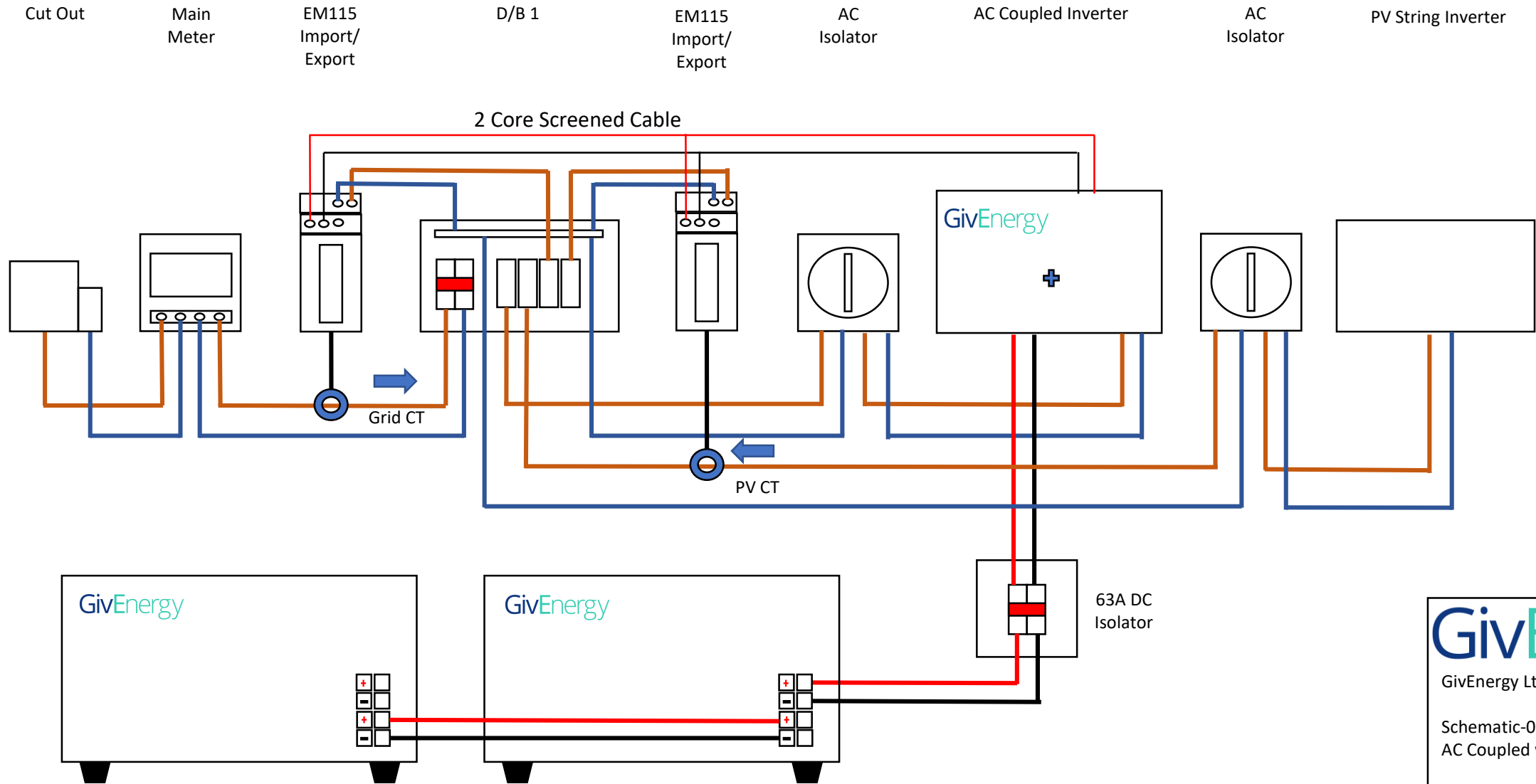
AC Coupled with 1 x EM115



GivEnergy Ltd
Schematic-04
AC Coupled with 1 x EM115
Date issued: 24-09-2019
Produced By: Dan Lambert

Schematic-05

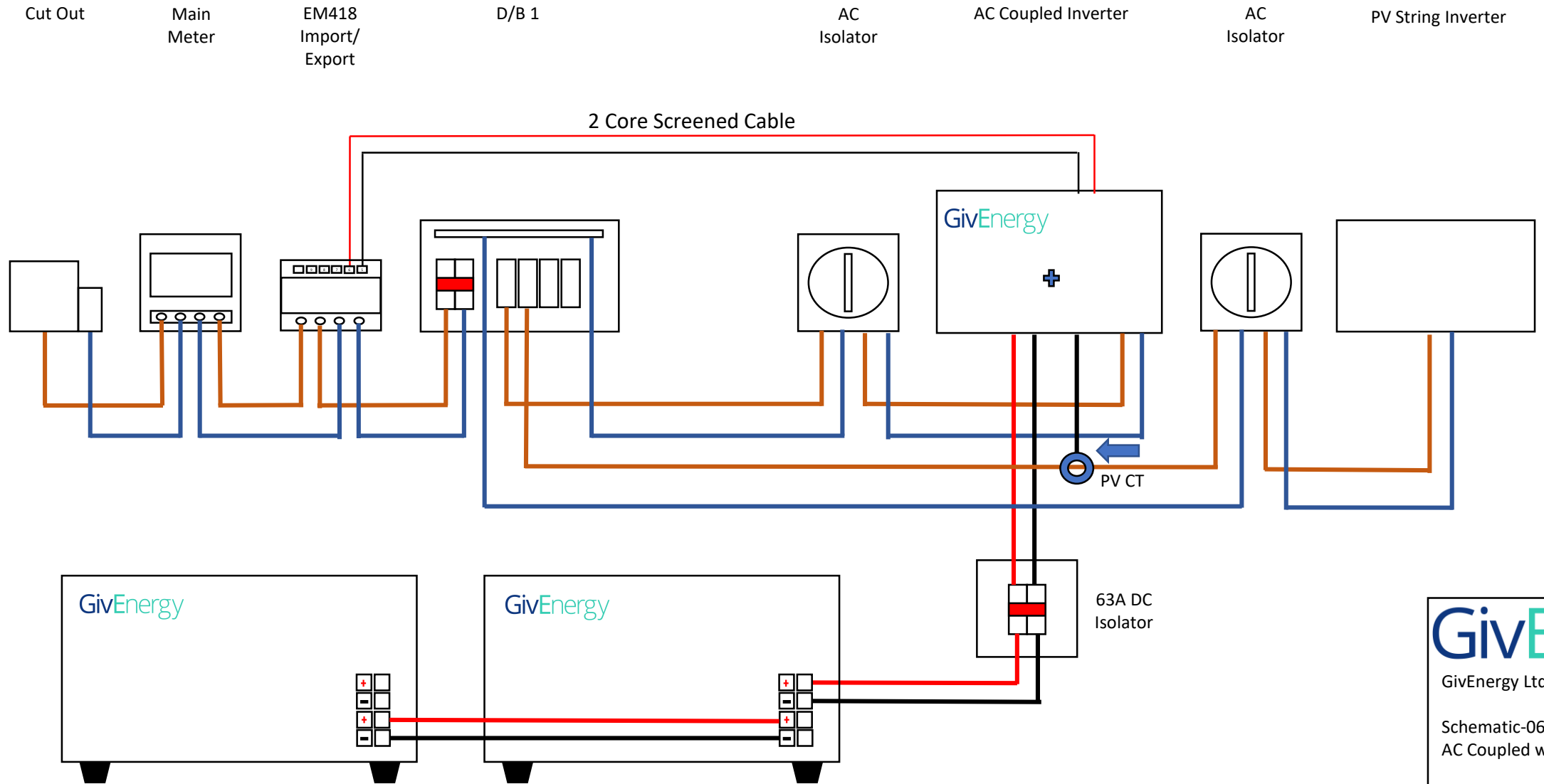
AC Coupled with 2 x EM115



GivEnergy Ltd
Schematic-05
AC Coupled with 2 x EM115
Date issued: 24-09-2019
Produced By: Dan Lambert

Schematic-06

AC Coupled with 1 x EM418



GivEnergy

GivEnergy Ltd

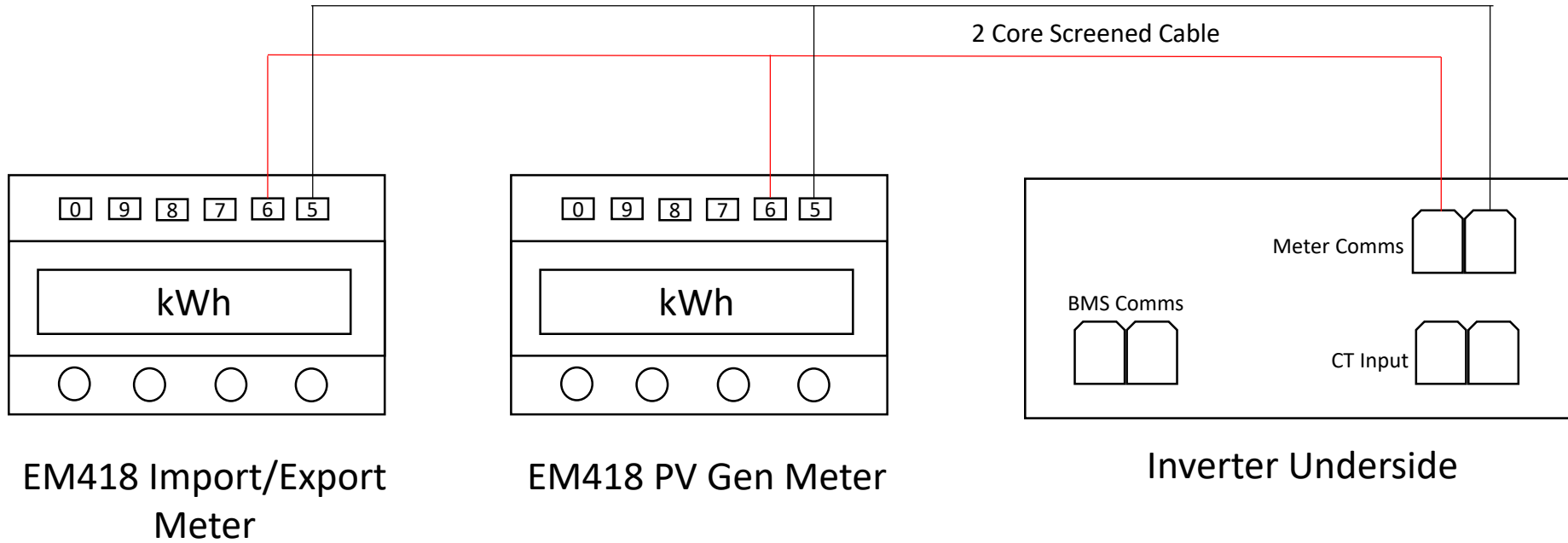
Schematic-06
AC Coupled with 1 x EM418

Date issued: 24-09-2019

Produced By: Dan Lambert

Schematic-07

2 x EM418 Meter Comms



GivEnergy

GivEnergy Ltd

Schematic-07
2 x EM418 Meter Comms

Date issued: 24-09-2019

Produced By: Dan Lambert

Schematic-08

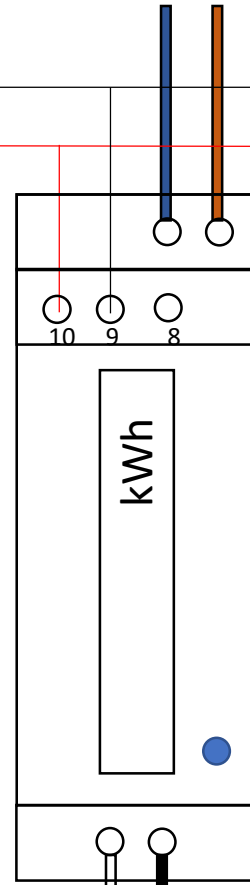
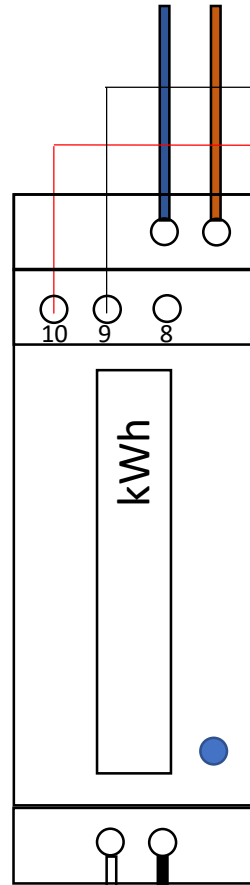
2 x EM115 Meter Comms

AC Supply

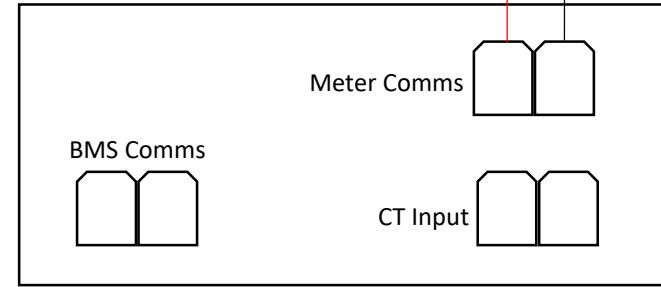
AC Supply

2 Core Screened Cable

EM115 Import/Export Meter



EM115 PV Gen Meter



Inverter Underside

Grid CT



Grid CT

PV CT



PV CT

GivEnergy

GivEnergy Ltd

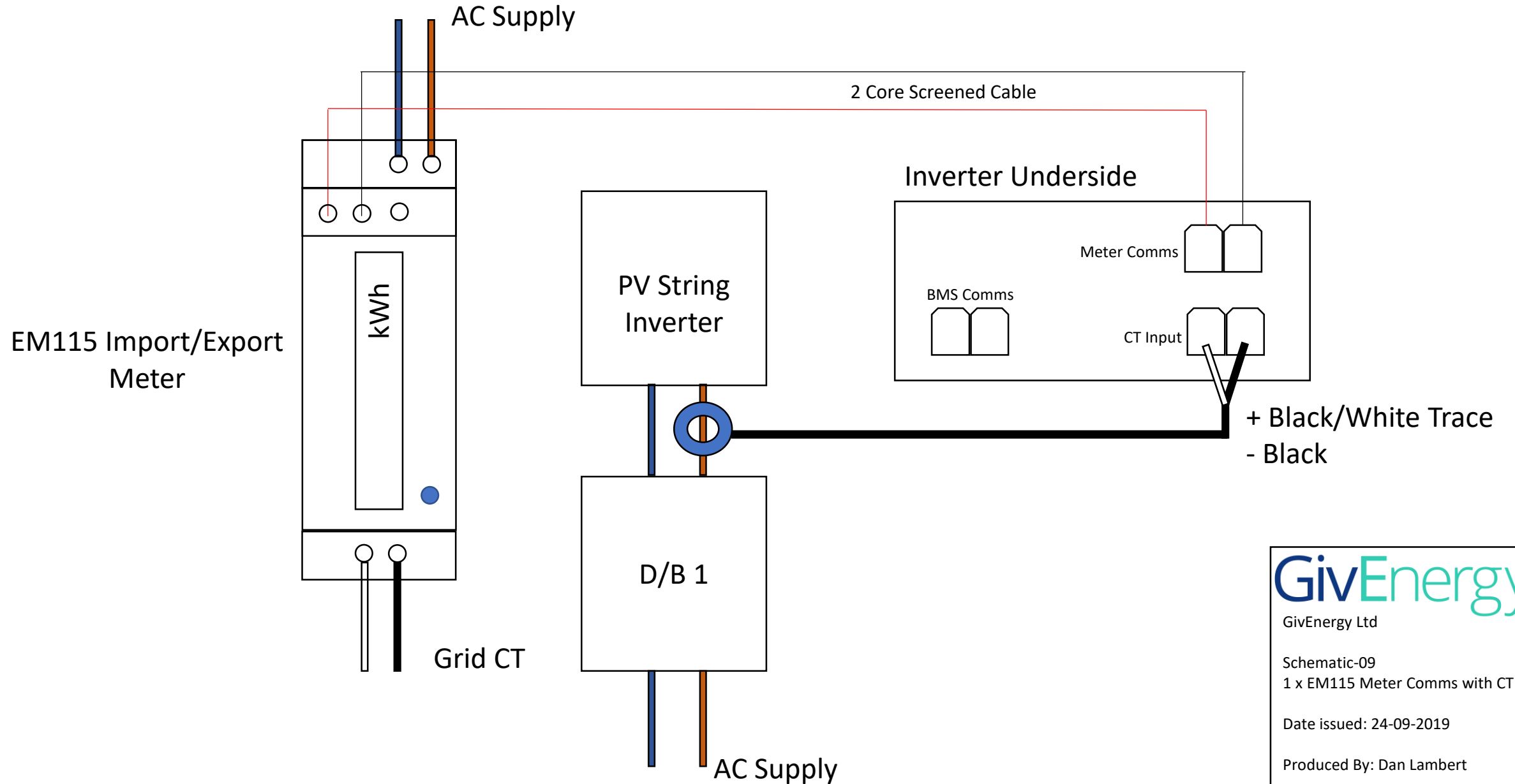
Schematic-08
2 x EM115 Meter Comms

Date issued: 24-09-2019

Produced By: Dan Lambert

Schematic-09

1 x EM115 Meter Comms with CT



GivEnergy

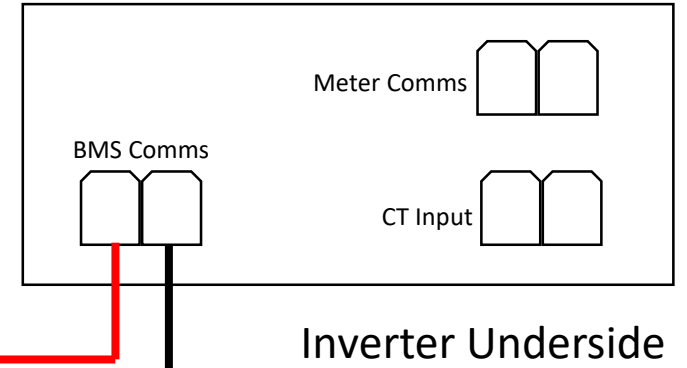
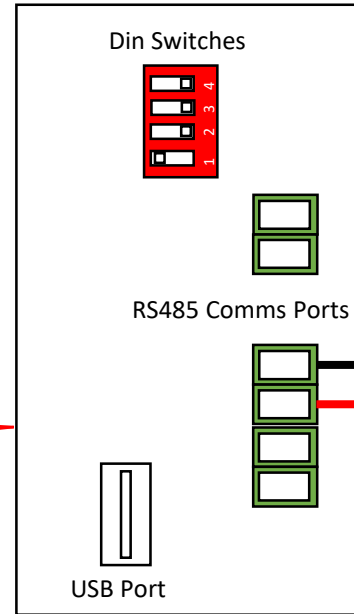
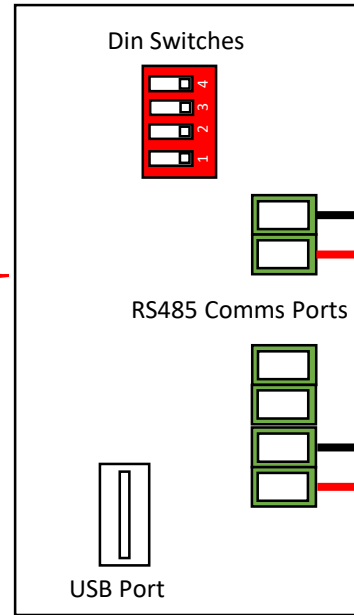
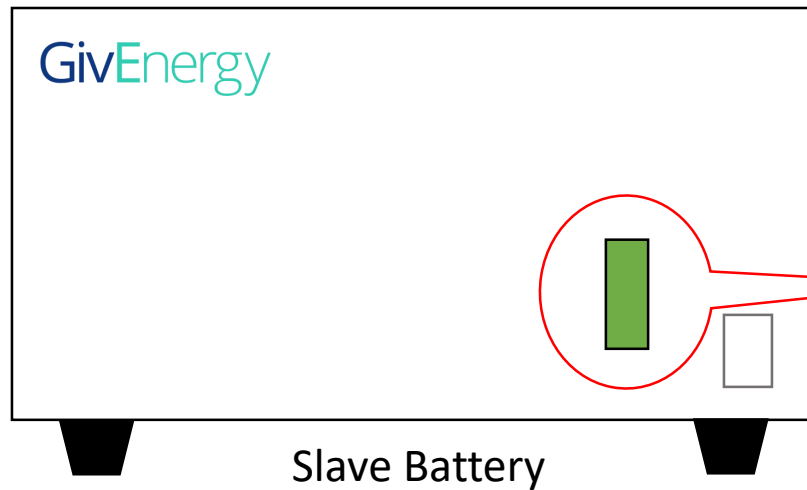
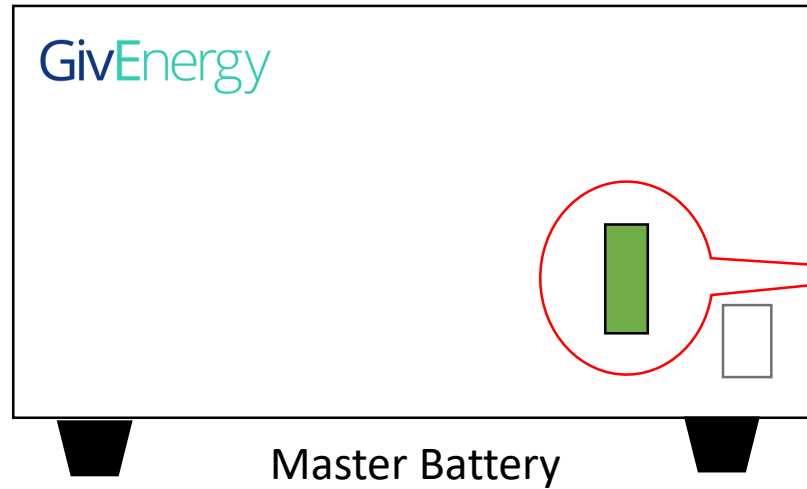
GivEnergy Ltd

Schematic-09
1 x EM115 Meter Comms with CT

Date issued: 24-09-2019

Produced By: Dan Lambert

Schematic-10 BMS Comms



Battery	ID	Description
Master		0, 0, 0, 0
Slave 1		1, 0, 0, 0
Slave 2		0, 1, 0, 0
Slave 3		0, 0, 1, 0
Slave 4		0, 0, 0, 1



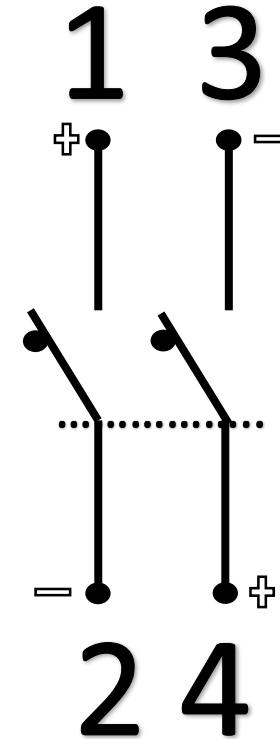
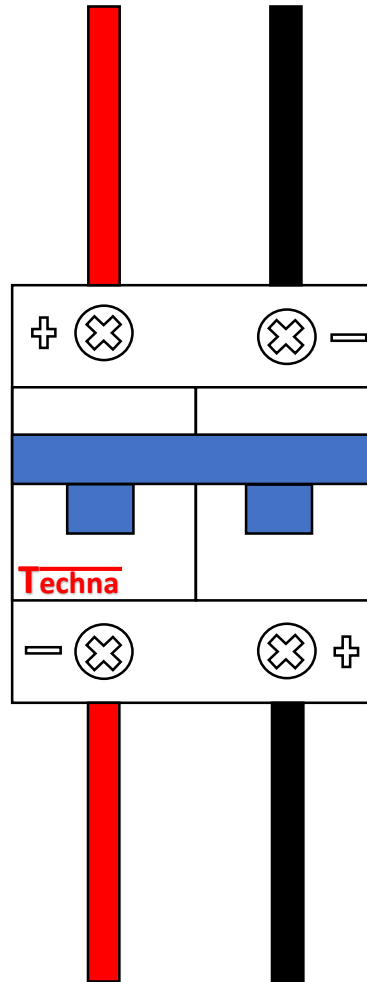
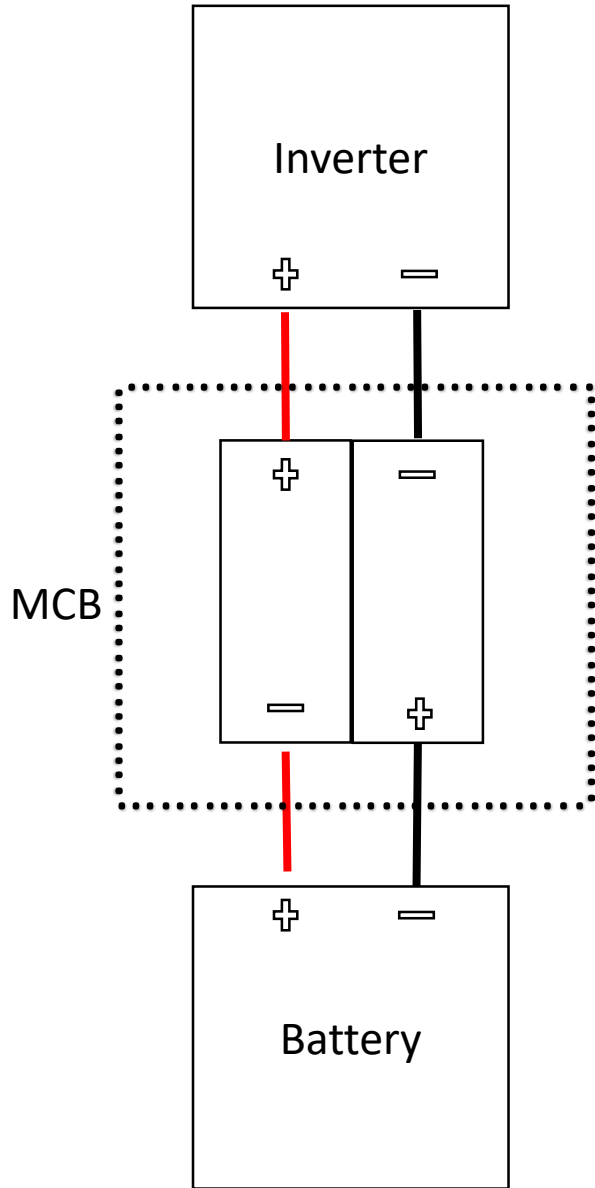
GivEnergy Ltd

Schematic-10
BMS Comms

Date issued: 24-09-2019

Produced By: Dan Lambert

Schematic-11 63A DC MCB Connection



GivEnergy

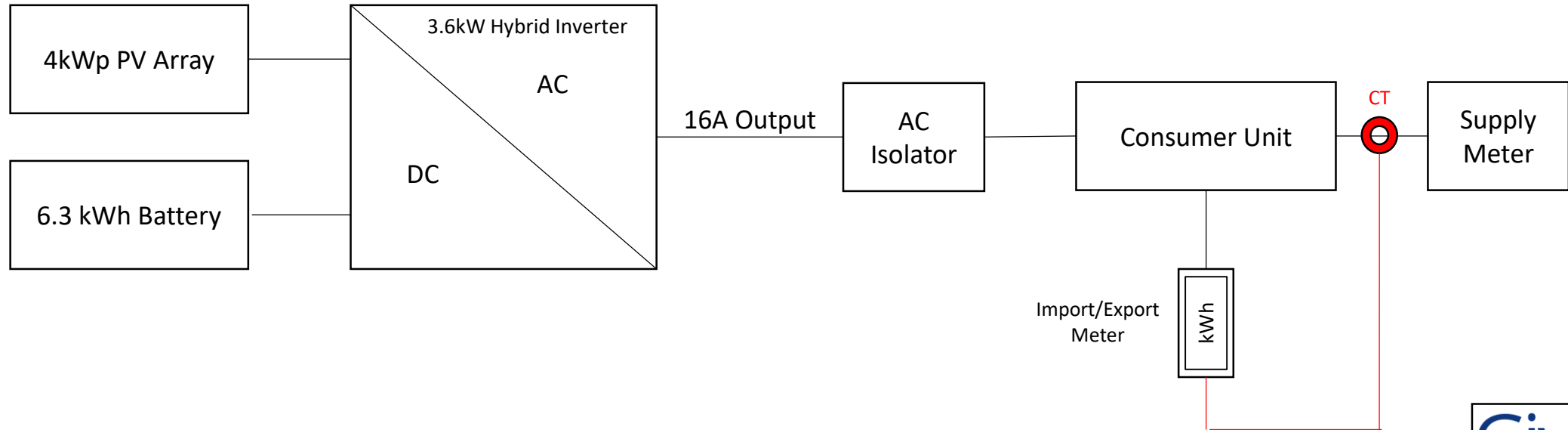
GivEnergy Ltd

Schematic-11
63A DC MCB

Date issued: 24-09-2019

Produced By: Dan Lambert

Schematic-12 Hybrid Block Diagram Example



GivEnergy

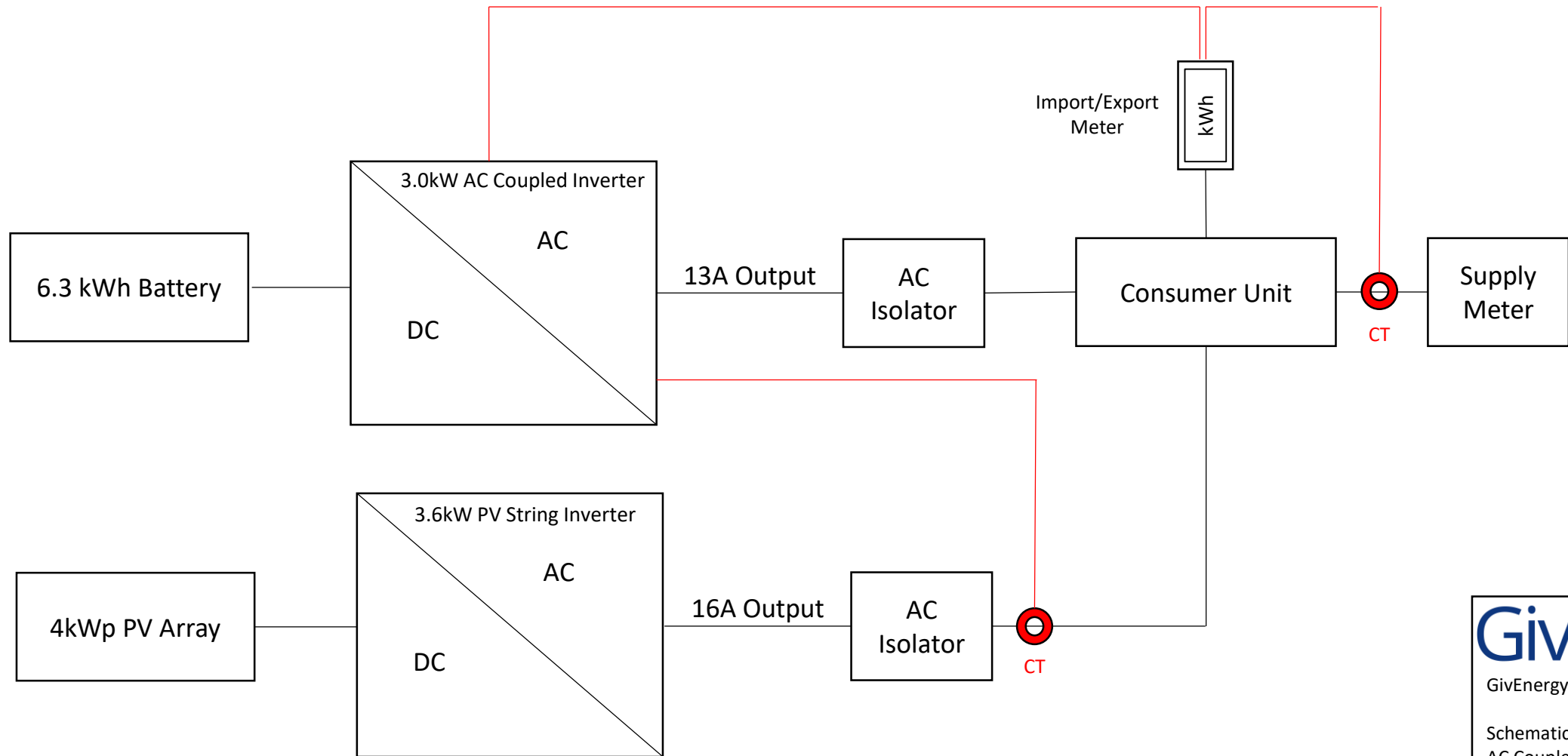
GivEnergy Ltd

Schematic-12
Hybrid Block Diagram

Date issued: 24-09-2019

Produced By: Dan Lambert

Schematic-13 AC Coupled Block Diagram Example



GivEnergy Ltd
Schematic-13
AC Coupled Block Diagram
Date issued: 24-09-2019
Produced By: Dan Lambert