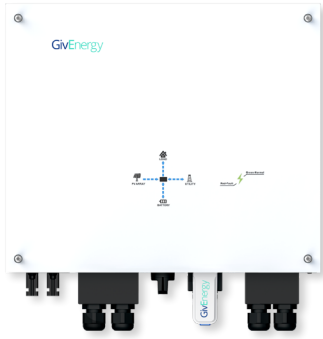


HYBRID GENERATION 1

# INVERTER INSTALLATION MANUAL

HY 3.6, HY 5.0



**A TRUE MULTI-TASKER**  
 Battery Inverter  
 and Solar Inverter in One

The first generation hybrid inverter can be coupled directly with solar panels to generate electricity in the property during daylight hours, as well as store any excess energy for later use in our batteries to minimise export. Additionally, it will minimise import by discharging to meet demand in the property.

The Hybrid Inverter Gen 1 is connected to our Gen 1 batteries using a ring terminal to ring terminal cable, and ring terminal to all in one plug for our Gen 2 batteries.

Specifications

**Dimensions**

440H x 260D x 480W (mm)

**Weight**

24 Kg

**Warranty**

12 years

**Operational temperature**

-25°C - 55°C

**Max. DC Input Power**

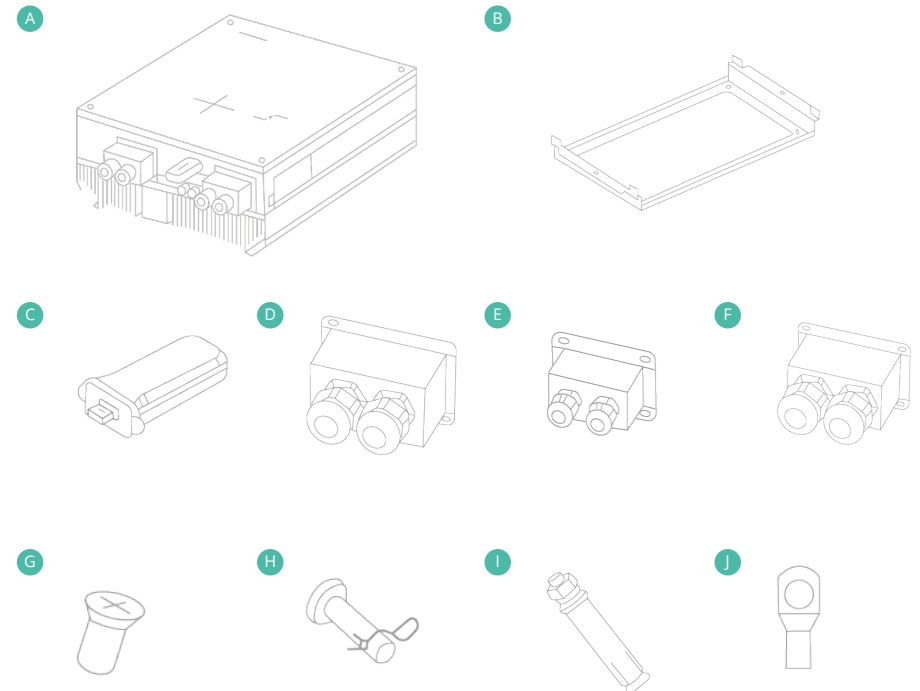
15kW

**Start Up Voltage**

3.6kW -140V

5.0kW -140V

| Item | Item Name                            | Qty |
|------|--------------------------------------|-----|
| A    | Inverter                             | 1   |
| B    | Mounting Bracket                     | 1   |
| C    | WiFi or 4G (additional)              | 1   |
| D    | Battery Terminal Cover               | 1   |
| E    | BMS, RS485 Communications Port Cover | 1   |
| F    | AC Supply Terminal Cover             | 1   |
| G    | Cover Screw                          | 14  |
| H    | Inverter Security Pin                | 2   |
| I    | Mounting Frame Fixings               | 4   |
| J    | Battery Input Terminations           | 2   |



## Introduction

All information contained in this booklet refers to the assembly, installation, commissioning, and maintenance of the Generation 1 Hybrid Inverter. Please retain this manual for future reference.

**Legal Disclaimer:** This document is the property of GivEnergy, reproduction is prohibited.

## Installation Requirements

Installation of all GivEnergy equipment must be carried out by a **GivEnergy Approved Installer**.

## Unit Information

The Hybrid Inverter is a battery inverter and solar inverter in one. It is bi-directional, meaning it can charge from the grid (AC coupled) and from solar (DC coupled).

## Storing the Inverter

The unit must be stored in its original packaging at temperatures between 5°C - 60°C. Do not stack more than 4 units on top of each other.

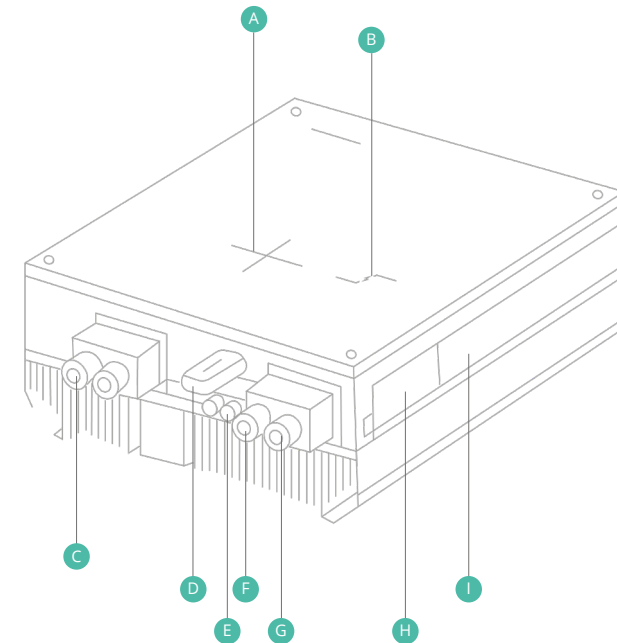
## Packaging Contents

When unpacking, please check the following:

- There are no missing accessories from the packaging list
- The model and specification of the inverter's nameplate match the order specifications

If any damaged or missing parts are found, please contact GivEnergy on **01377 252 874** or email **support@givenergy.co.uk** immediately. Returns must be provided in original or equivalent packaging. The cardboard packaging is recyclable.

| Item | Item Name  |
|------|--|
| A    | Power Flow Direction Indicators                    |
| B    | Operation Status Indicator                         |
| C    | Battery Input Terminals and Cover                  |
| D    | WiFi or 4G Communications Module and USB Port      |
| E    | Bat > NTC and RS485 Communication                  |
| F    | BMS Communications, Load Monitor Communications    |
| G    | AC Supply Terminals/EPS Supply Terminals and Cover |
| H    | Serial No.   |
| I    | Specification Label                                |



# SAFETY AND INSTALLATION

## Safety Instructions

Extra care and attention must be taken when installing and maintaining any GivEnergy equipment. The system is capable of retaining a high voltage, even when disconnected.

- ✔ If you suspect something is wrong with the inverter, contact GivEnergy on **01377 252 874** or email **support@givenergy.co.uk**
- ✔ If any damaged or missing parts are found, please contact GivEnergy on **01377 252 874** or email **support@givenergy.co.uk** immediately. Returns must be provided in original or equivalent packaging
- ✔ All electrical installations must be carried out by a qualified and registered Electrician and in accordance with the IEE Wiring Regulations
- ✔ During operation, the heat sink may become hot. Do not touch the heat sink at the sides, or the top of the inverter when in operation
- ✔ The inverter is designed to be connected to the grid; connecting your inverter to a generator or other power source can result in damage to the inverter or external devices
- ✔ All GivEnergy equipment must be installed by a GivEnergy Approved Installer



The inverter must be installed in an easily accessible location, the status display must be visible and not obstructed



Please ensure that the wall to be mounted on is sufficient enough to hold the weight of the inverter and battery pack



The inverter must be installed in a well ventilated area, the ambient temperature should be below 40°C to ensure optimal operation



The inverter must be installed vertically with connections always positioned at the bottom, never install horizontally, and avoid tilting the unit



The inverter must be installed under a canopy if installing externally. Avoid direct sunlight and near water sources



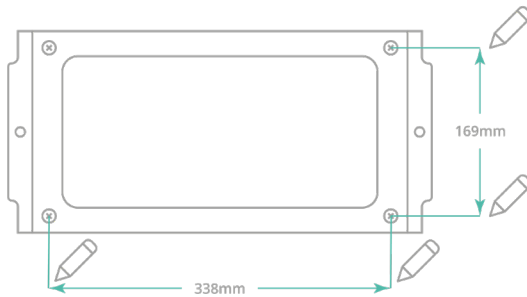
Mount the inverter at least 3 feet above ground level (outside only)

## Precautions

- ✔ It is very important for system safety and efficient operation to use appropriate cables for battery connections. 16mm<sup>2</sup> (minimum) tri-rated cables must be used for DC battery connections
- ✔ The voltage of the battery connected must not exceed 60V (or it will damage the inverter and void any warranty)
- ✔ Only GivEnergy batteries should be connected to our inverters
- ✔ Reversed polarity will damage the inverter
- ✔ The battery must be installed in accordance with the Battery Installation Guide

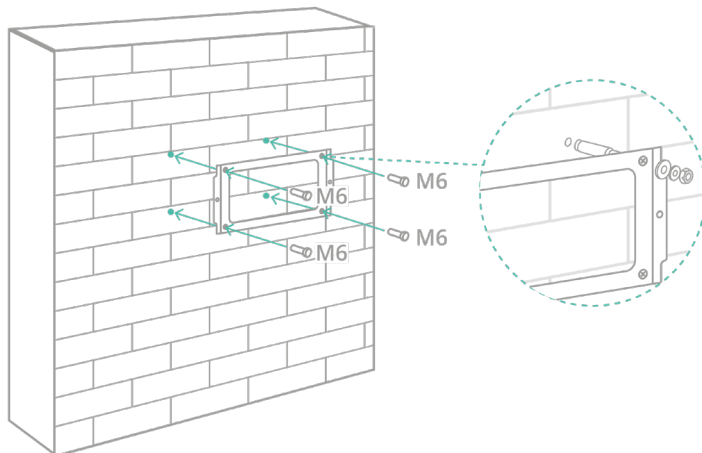
## STEP-BY-STEP INSTALLATION

1. Wall thickness for mounting the inverter must be no less than 100mm. Remove the wall mounting bracket from the back of the inverter and place horizontally onto the wall and mark the position of the bracket holes.

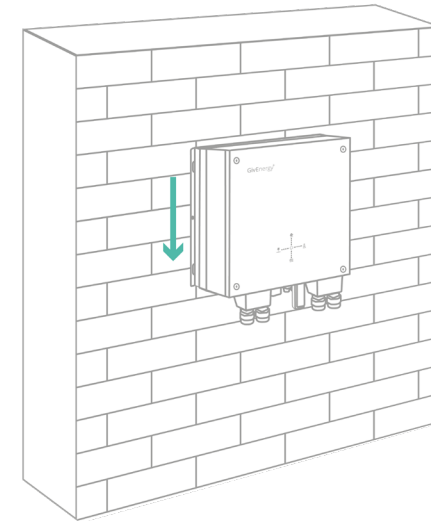


2. Drill 4 holes at the marked positions, at least 75mm deep. Fix the mounting bracket to the wall using 4 x M6x50 expansion bolts.

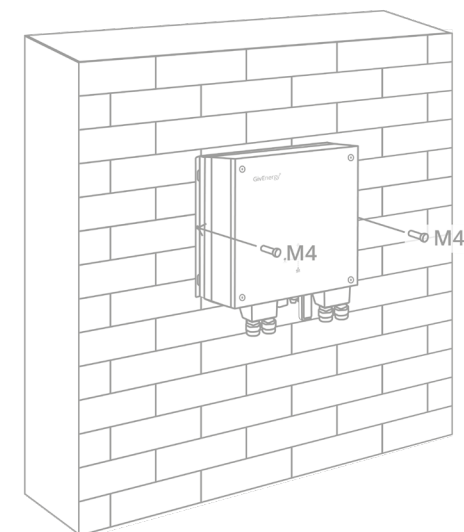
**Please note:** If fitting the inverter to a non-masonry wall, different fixings will be required.



3. Mount the inverter onto the mounting bracket.

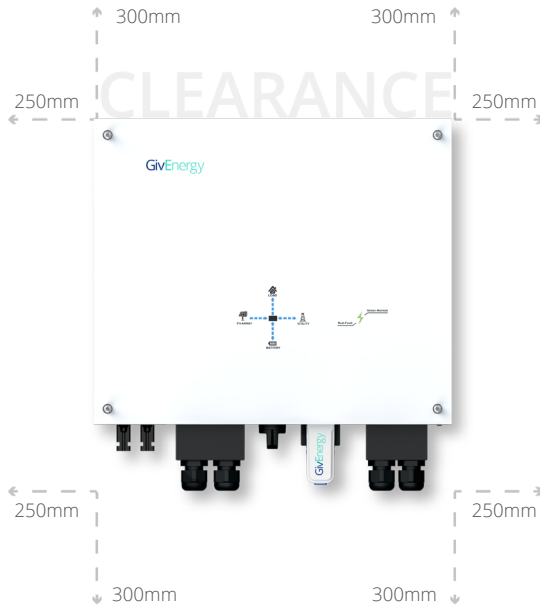


4. Insert the 2 x M4 safety locking screws on the left and right side to prevent the inverter from being lifted off the bracket.



## Space Clearance

There must be adequate clearance around the inverter to allow for heat dissipation. The diagram below illustrates the space required around the inverter.



## Maintenance

When maintaining and cleaning the inverter, **the whole system must be powered down**. Please refrain from using cleaning products on the surface of the inverter.

To ensure your inverter operates optimally at all times, annual maintenance checks need to be carried out. Check for visible damage or discolouration of the switch, and that the cables are intact. Please ensure that the top of the inverter is not obstructed in any way.

Whilst the inverter is powered down, we recommend operating the PV rotary isolator from ON to OFF 2-3 times, this cleans the contacts of the rotary switch.

**Please note: do not carry out this maintenance while the inverter is switched on.**

## Item Item Name

| Item | Item Name               |
|------|-------------------------|
| A    | PV Input                |
| B    | Battery DC Terminals    |
| C    | PV Isolation Switch     |
| D    | Communication/DRM Ports |
| E    | USB Port                |
| F    | EPS Supply Terminals    |
| G    | AC Supply Terminals     |



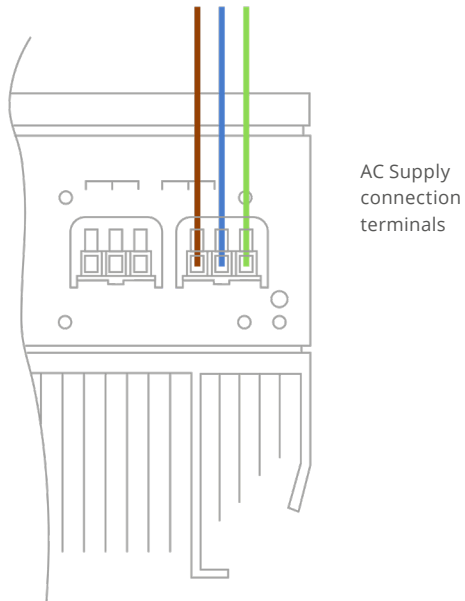
## AC UTILITY GRID CONNECTION

Cable size requirements for the Hybrid Inverter are dependent on the model:

- ✔ HY 5.0 - minimum 4mm<sup>2</sup> - 6mm<sup>2</sup>
- ✔ HY 3.6 - minimum 2.5mm<sup>2</sup> - 4mm<sup>2</sup>

The recommended maximum cable length should not exceed 50m as the resistance of the cable will consume inverter output power and reduce the inverter efficiency.

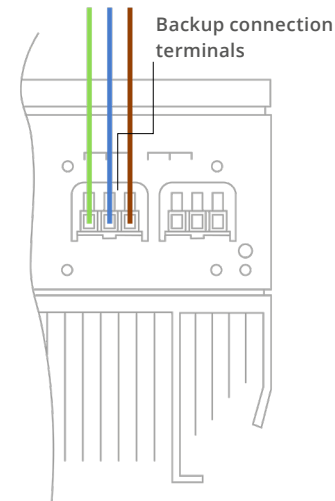
You must install a separate AC circuit-breaker per inverter in order to ensure that it is adequately protected and can be safely disconnected under load.



## CONNECTING TO THE EPS

The Emergency Power Supply (EPS) can provide a maximum output power of 5000W (dependent on inverter model, see table below) during a grid failure. This output must be protected as close to the inverter as possible, with a double pole 30mA RCD rated at up to 20A.

There are four approved methods to connect to the EPS, please refer to the EPS Connection Guide on our Knowledge Base for more information.



| Maximum Power Output                |       |
|-------------------------------------|-------|
| <b>Hybrid Gen 1 2.6</b>             |       |
| Max. Power Output (Battery & Solar) | 5000W |
| Max. Power Output from Battery      | 2600W |
| <b>Hybrid Gen 1 5.0</b>             |       |
| Max. Power Output (Battery & Solar) | 3600W |
| Max. Power Output from Battery      | 2600W |

If the backup terminals are used, please ensure the following:

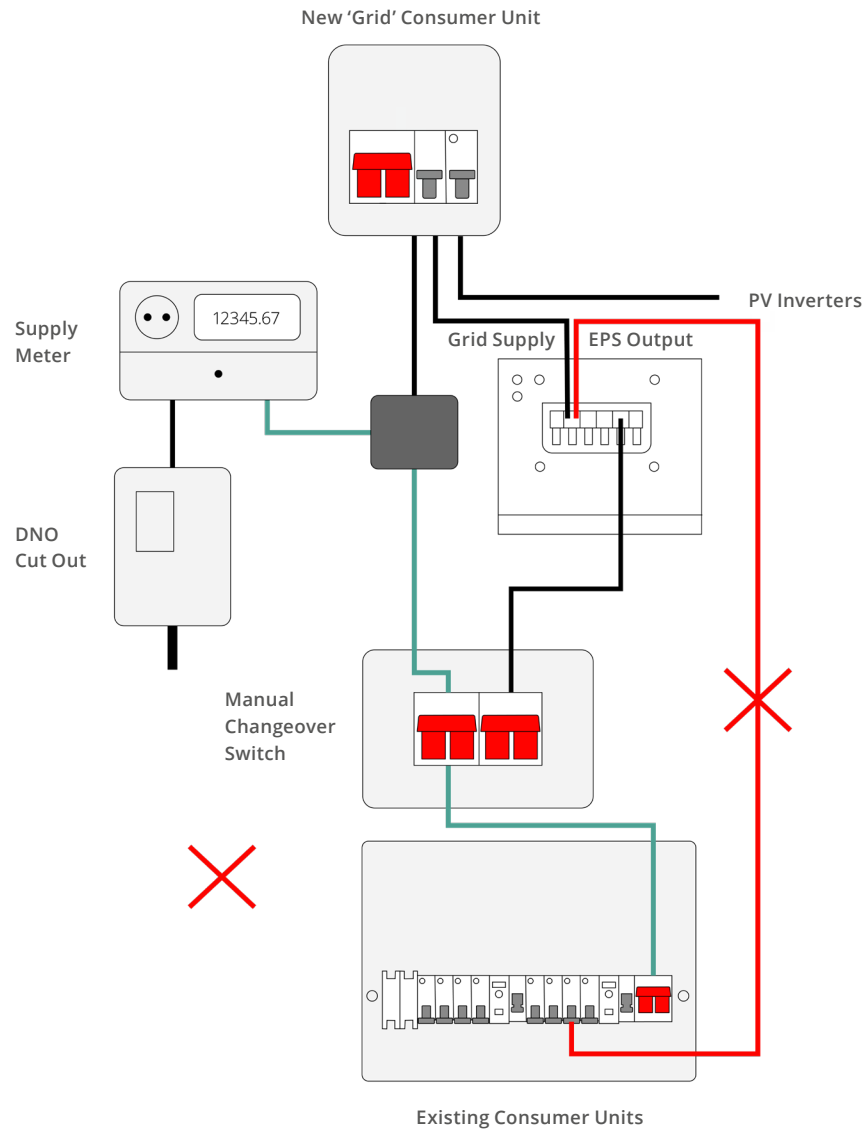
An earth rod must be installed and connected to the main earthing terminal, as close to the origin of supply as possible, and adequate overload / short circuit protection must be installed in accordance with the IEE wiring regulations.



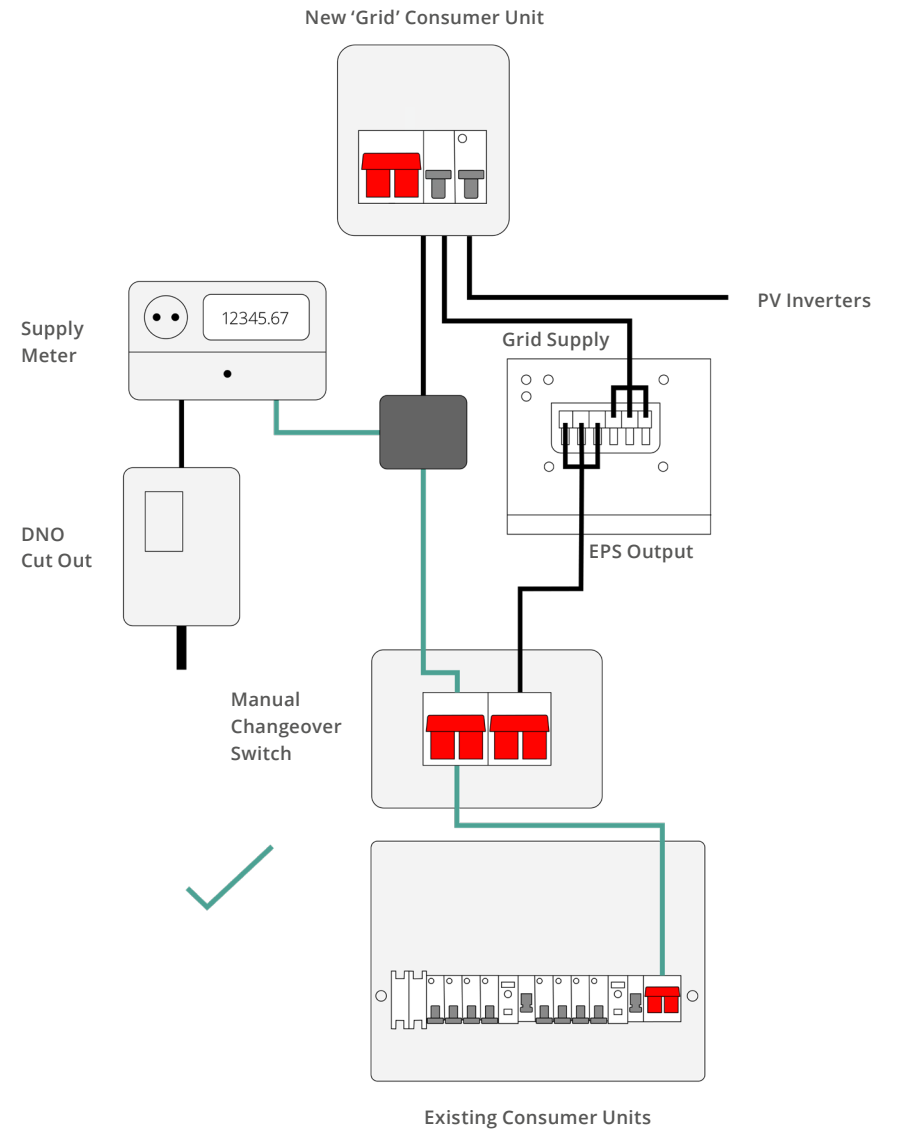
The EPS MAX output power is 5000W (dependent on inverter model, see table above). If the load is greater than 5000W the inverter will stop outputting and go into fault. The EPS output will only operate when the battery(s) have capacity available. Any other grid tied generation must be supplied from the grid side of the changeover switch to avoid damage to the inverter, and voiding any warranty (see the following diagrams for reference).

# FULL PROPERTY BACKUP

Incorrect wiring of full property back-up with manual or automatic change over switch:



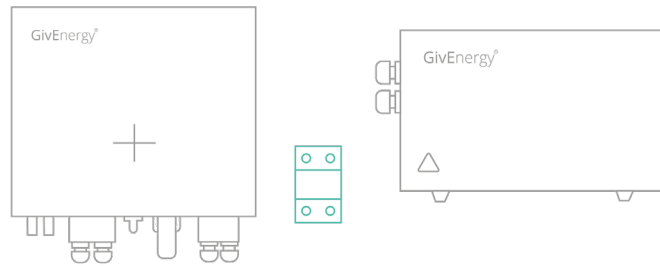
Correct wiring of full property back-up with manual or automatic change over switch:





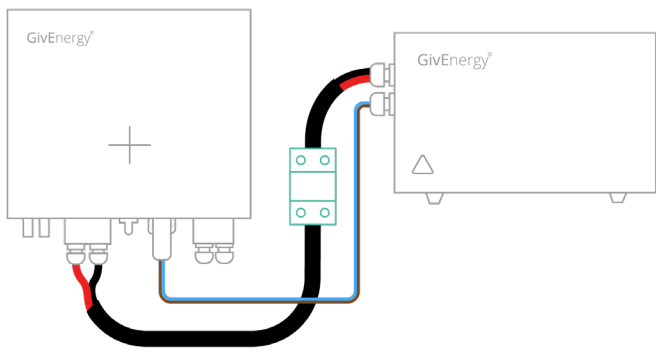
# CONNECTING THE BATTERY TO THE INVERTER

1. A DC MCB must be installed between the master battery and the inverter of Gen 1 batteries (not less than 100A), this will ensure the inverter can be safely disconnected during maintenance. Please note that a separate DC MCB is not required with Gen 2 batteries as they have one integrated, unless Gen 1 batteries are installed after a Gen 2 battery pack.



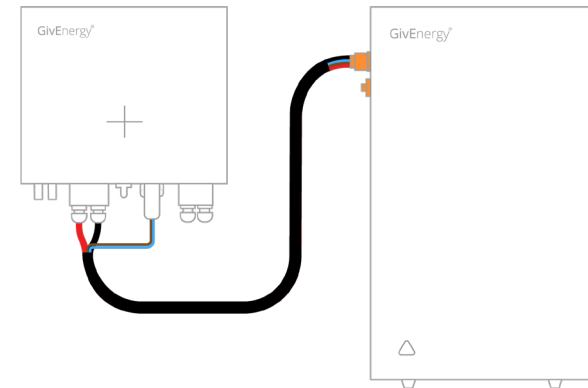
## Generation 1 battery only

2. Check the battery nominal voltage and polarity. When connecting a Gen 1 inverter to a Gen 1 battery (2.6kWh, 5.2kWh, 8.2kWh), a ring terminal to ring terminal cable must be used.



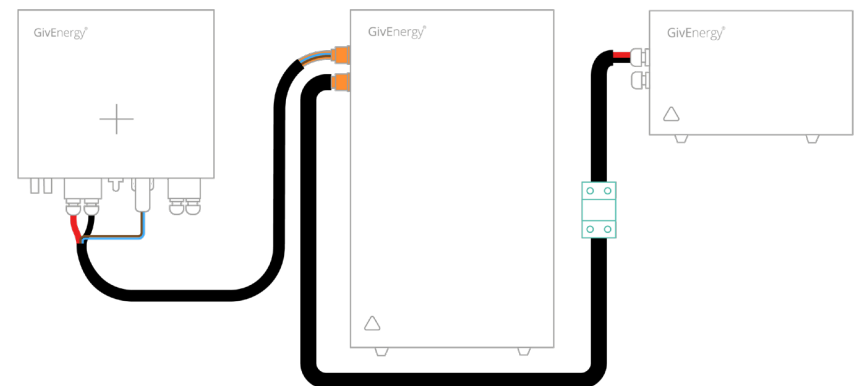
## Generation 2 battery only

3. When connecting a Gen 1 inverter to a Gen 2 battery (9.5kWh), a ring terminal to all in one cable must be used. Connect the ring terminal cable onto the battery terminal connection on the inverter. The other end can then be connected to the A-socket on the Gen 2 battery (ensure that the red clip is facing away from the inverter, and is pushed in securely).



## Installation of additional batteries

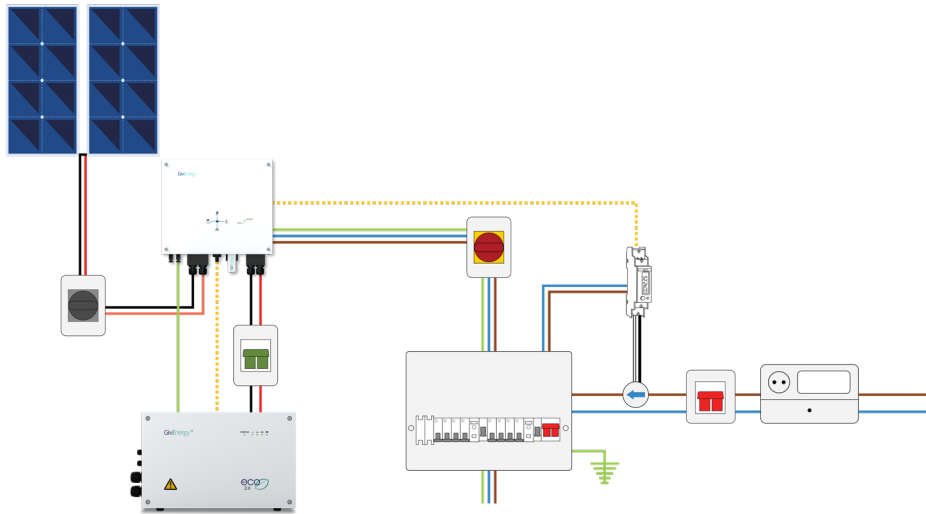
4. If connecting additional Gen 1 batteries after a Gen 2 battery, you must install a DC MCB in between the Gen 2 and the Gen 1 battery to ensure that the Gen 1 battery can be safely isolated, as it has no in-built isolation.



## CONNECTING MID APPROVED METER TO INVERTER

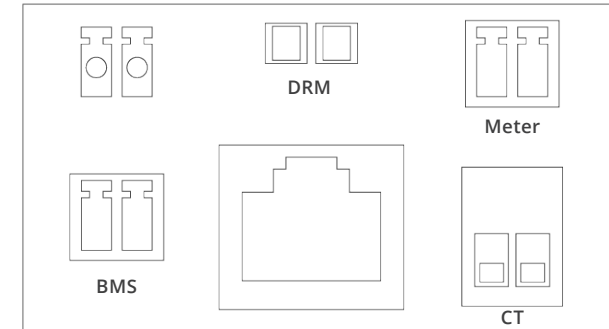
In the system, a mid approved meter must be installed to ensure correct monitoring of the grid power. The inverter uses this information to decide whether to charge or discharge the battery.

The CT clamp that is connected to the mid approved meter must be installed around the live incoming supply to the property, with the arrow pointing in the direction of grid import, in order to monitor the complete consumption of the building.



## COMMUNICATION CONNECTIONS

### Communication/network ports



## START-UP AND SHUT-DOWN OF THE INVERTER

### Start-Up Procedure

1. Connect the AC circuit breaker, ensure that the system is powered and commissioned using the portal/App. Ensure that the grid power is reading identical to that of the mid approved meter (this can be found on the screen of the meter).
2. Turn on the PV switch
3. Turn on the battery breaker
4. Turn on the battery
5. The inverter will start automatically when the PV voltage is higher than 150V, and the battery voltage is higher than 46.4V

### Shutdown Procedure

1. Turn off the battery
2. Disconnect the AC circuit breaker to prevent it from being reactivated
3. Disconnect the battery breaker to prevent it from being reactivated
4. Turn off the PV switch
5. Check the inverter operating status
6. Wait until all LEDs have gone out. The inverter is now shut down

## COMMISSIONING & DECOMMISSIONING A SYSTEM

All systems must be commissioned to ensure correct battery and meter communications, as well as connection to the online portal.

**Note: Without commissioning, the system may not operate correctly.**

Check that all the wires are securely connected before the battery breaker and the AC isolator is switched on. You MUST set the parameters of the battery according to your battery system.

### Accessing the Commissioning Portal

Sign into the online portal at <https://portal.givenergy.cloud> with your GivEnergy Engineer login. If you are a first time user, and you do not have an account or Engineer login, please consult your supplier to get this set up.

➤ To download a fully illustrated guide, please visit our Knowledge Base at [www.givenergy.co.uk](http://www.givenergy.co.uk)

### Uninstalling the Inverter

1. Follow the shut-down procedure
2. Remove all connections and cables from the inverter
3. Remove the locking pins which are securing the inverter to the bracket
4. Lift the inverter off the bracket
5. Remove the wall bracket

### Packaging the Inverter

If possible, always pack the inverter in its original packaging and secure it with tension belts. If this is not available, you may also use an equivalent sized box. The box must be capable of being closed completely and be strong enough to support both the weight and the size of the inverter.

### Storing the Inverter

Store the inverter in a dry place where ambient temperatures are always between -25°C and +60°C



### Eco Mode

The system optimises the delivery of generated PV power and battery power to prioritise the home load. Grid power is used as a last resort if solar and battery power are unavailable.



### Off Peak Charging / Peak Discharging

This is prioritised to charge the battery during off peak times when energy is cheaper, greener, and cleaner. The battery will start to discharge outside of the off peak time when energy is more expensive to support the home, otherwise the battery can be discharged at full power to support a variable export tariff.



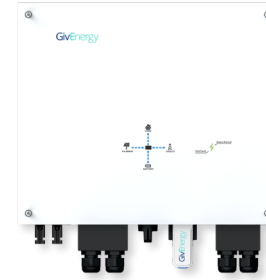
### Back Up / Island Mode

The system has the ability to be used in the event of a power cut. To utilise this feature, circuits must be connected to the inverter's EPS terminals.

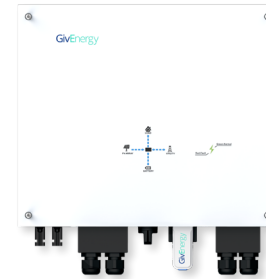
To download a fully illustrated guide on connecting the inverter to the EPS, please visit our Knowledge Base at [www.givenergy.co.uk](http://www.givenergy.co.uk).

This inverter is covered by a 12-year warranty.

### Products Covered



**Hybrid Inverter Gen 1 3.6**  
12 years



**Hybrid Inverter Gen 1 5.0**  
12 years

**Legal Disclaimer:** This document is the property of GivEnergy, reproduction is prohibited.

