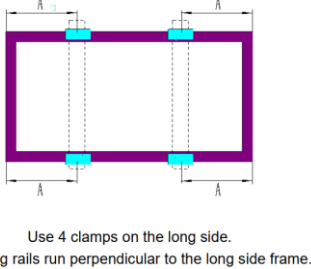


<b>Publication Date</b>	Nov.9th, 2023
<b>Module Manufacturer</b>	Trina Solar
<b>ESDEC Clamp Version</b>	Click Fit EVO
<b>Scope</b>	
This document is to confirm the compatibility between ESDEC products and Trina Solar products according to testing results in 3rd Party Lab; The test is done on TSM-NE09RC.05 module and test result(C-CA-2309-ESD-003) here covers the compatibility of NEG9R.28 and NEG9RC.27, NE09RC.05	
<b>Details</b>	

**Table 1: Maximum Pressure Rating with ESDEC Click Fit EVO PV Module Mounting Solution**

Module Type	Module Frame Height	Module Mounting Method	Clamp Location**	Test Load
TSM-NEG9R.28 (TSM_EN_2023_B)	30mm		A = 250-350mm	+5400Pa/-2000Pa
TSM-NEG9RC.27 (TSM_EN_2023_B)				
TSM-NE09RC.05 (TSM_NA_EN_2023_A)				

**Note:** \* See dimensions in Figure 1; \*\* See drawing in Figure 2;

**Disclaimer**

*The content of this Compatibility Letter (hereinafter referred as the “CL”) is only for reference by the customers of the undersigned company/companies of this Letter (hereinafter referred, each respectively, as the “Undersigned”) for commercial consulting purpose, and shall not be regarded as part of any sales contract or any expressed or implied binding obligations or commitments without the consent of all the Undersigned.*

*All relevant values in the CL are based on the sample test results. Samples test complies with IEC61215-2: 2016 [MQT]16 under theoretical lab environment and such test result shall only be referred to under such theoretical environment test conditions.*

*The specific project design and mechanical load requirements shall be calculated and evaluated subject to the design conditions of the project land, temperature, geographical conditions, specific product types of modules and trackers, inverters and other conditions of the specific project.*

*Always refer to the latest issued CL by all the undersigned and customers. This Letter shall not incur any liability on the Undersigned at any time or under any circumstance.*

Company Name: Trina Solar Co.,Ltd

Name & Title: Lei Gao, Director of Product Strategy & Management

Date: 2023.12.1

Signature: [Signature]

Company Name: Yann Schwarz

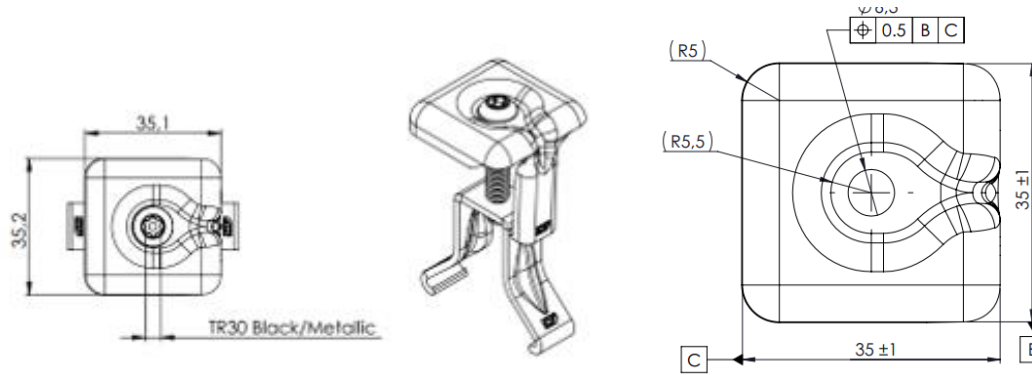
Name & Title: VP, Systems Engineering & Compliance

Date: 2023.12.1

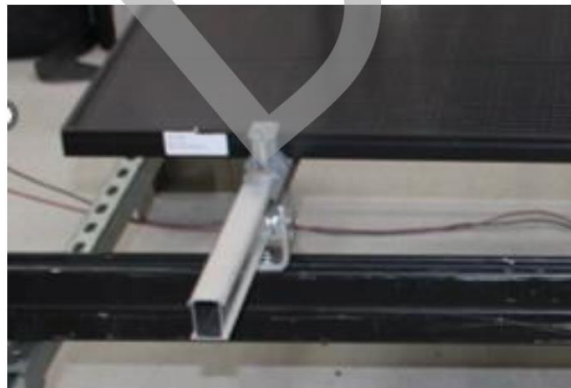
Signature: [Signature]

**Annexes:**

1. Clamp Drawings



2. Clamp Location in Test Lab



250mm



330mm



3. Test Report: C-CA-2309-ESD-003, dated November 15, 2023