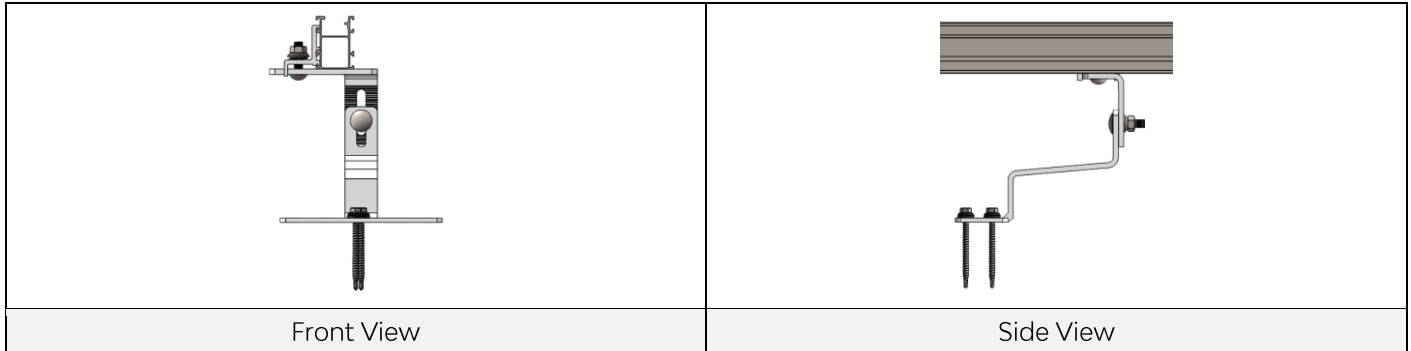
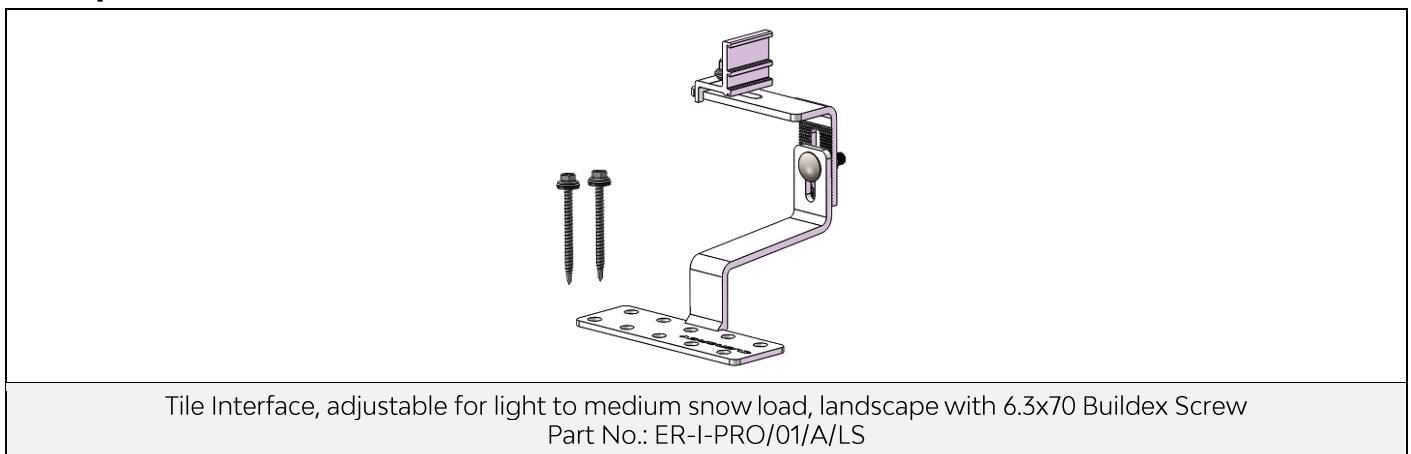


Tile Interface, adjustable for light to medium snow load, landscape

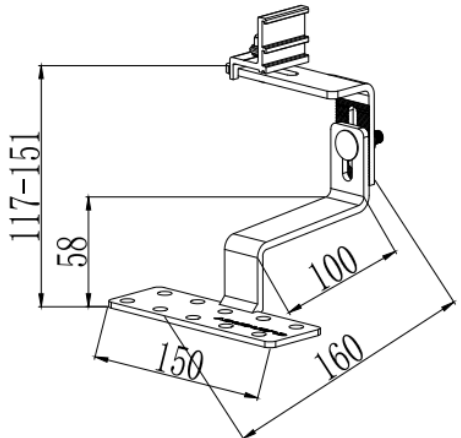
Assembly



Component



Technical Specification

Application	Tile Roof	
Purlin Requirement	Metal or Timber Purlin	
Screw Specification	2 x C3 Buildex 14-11 x 70 (14 gauge, 6.3 mm, 11 TPI, 70 mm long) screw with 16 mm Aluminum Bonded Washer	
Panel Orientation	Landscape	
Dimensions	L160*W150mm	
Weight	0.717 kg	
Packaging	5 units per pack, 4 packs (20 units) per carton	
Material	Roof Hook: SUS304 Bolts/Washer/Nuts/Spring: SUS304 ezClip: AL6005-T5	
Standard	GB50797 AS NZS1170.2 EN1991 JISC8955 ASCE 7-10	