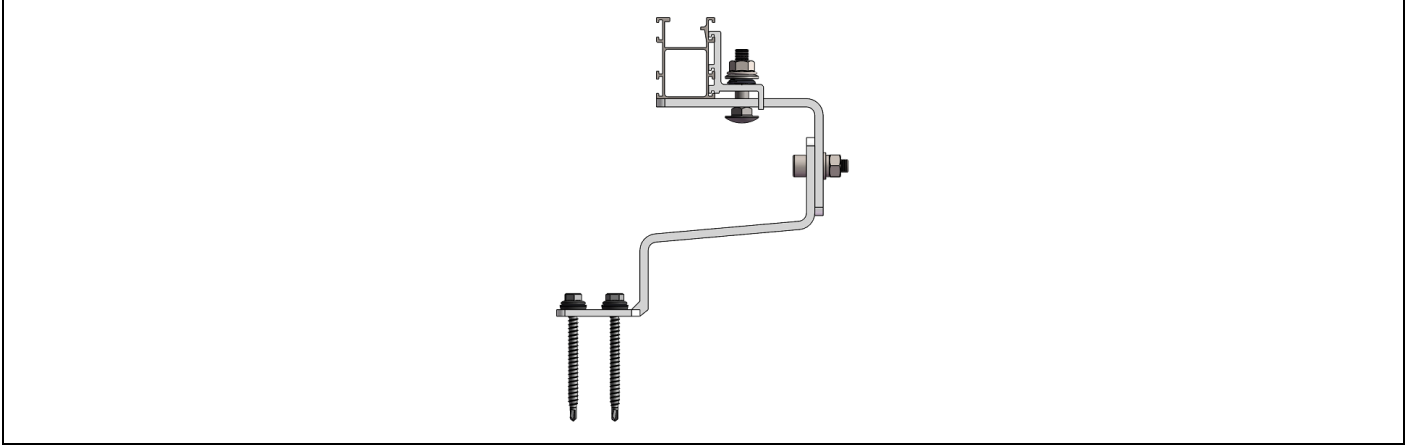
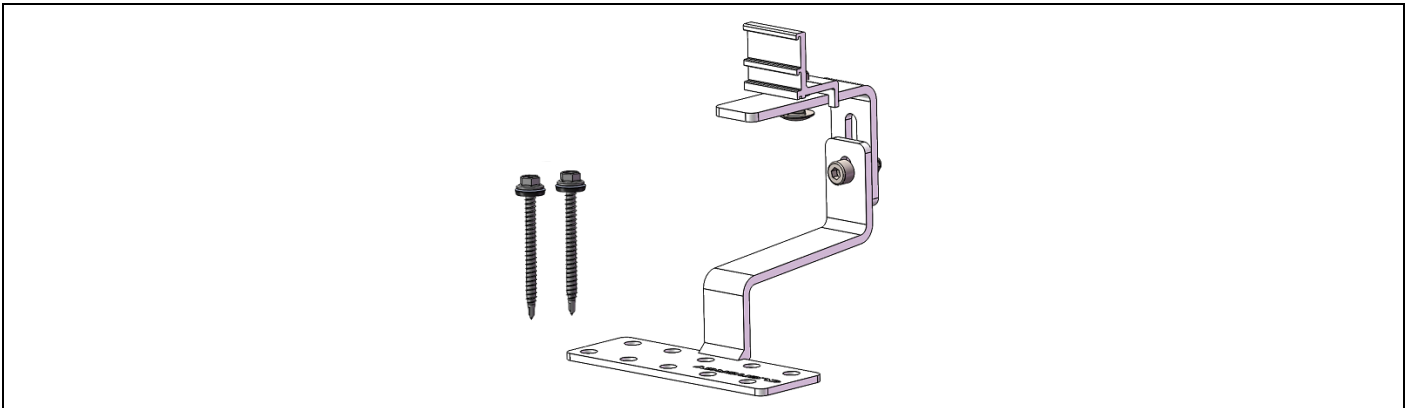


Tile Interface for Adjustable for light to medium snow load

Assembly

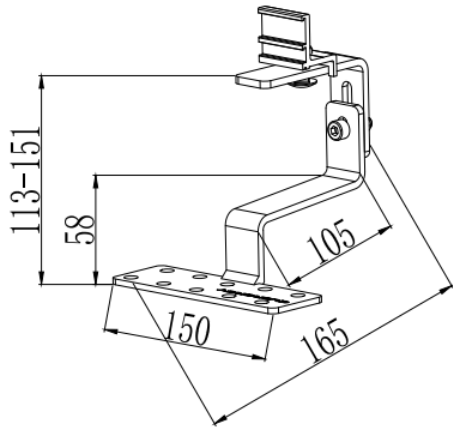


Component



Tile Interface for Adjustable for light to medium snow load with 6.3x70 Buildex Screw
Part No.: ER-I-PRO/01A

Technical Specification

Application	Tile Roof	
Purlin Requirement	Metal or Timber Purlin	
Screw Specification	2 x C3 Buildex 14-11 x 70 (14 gauge, 6.3 mm, 11 TPI, 70 mm long) screw with 16 mm Aluminum Bonded Washer	
Dimensions	L165*W150mm	
Weight	0.747 kg	
Packaging	12 units per pack, 2 packs (24 units) per carton	
Material	Roof Hook: SUS304 Bolts/Washer/Nuts/Spring: SUS304 ezClip: AL6005-T5	
Standard	GB50797 AS NZS1170.2 EN1991 JISC8955 ASCE 7-10	