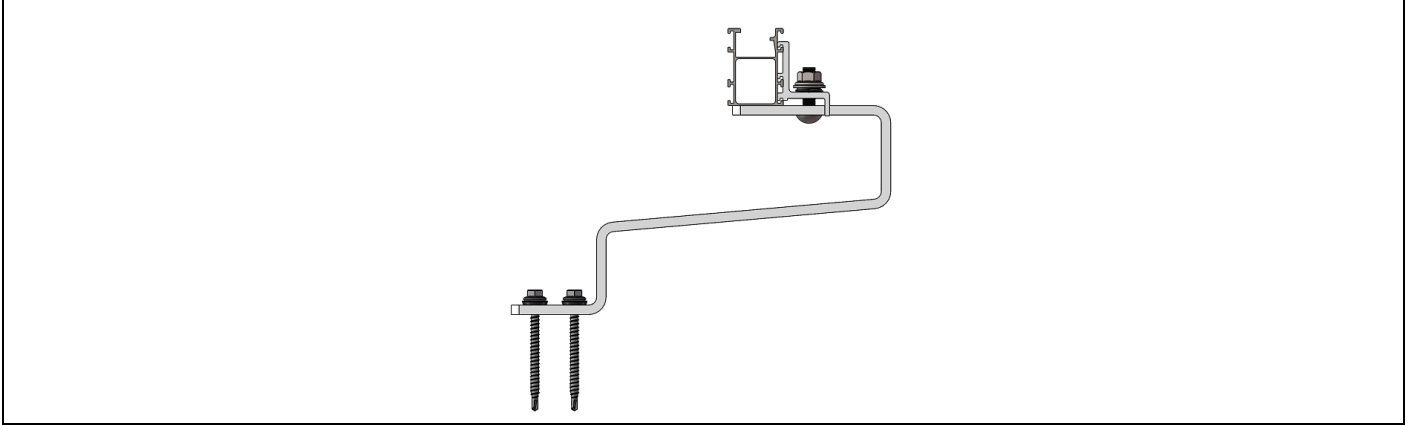
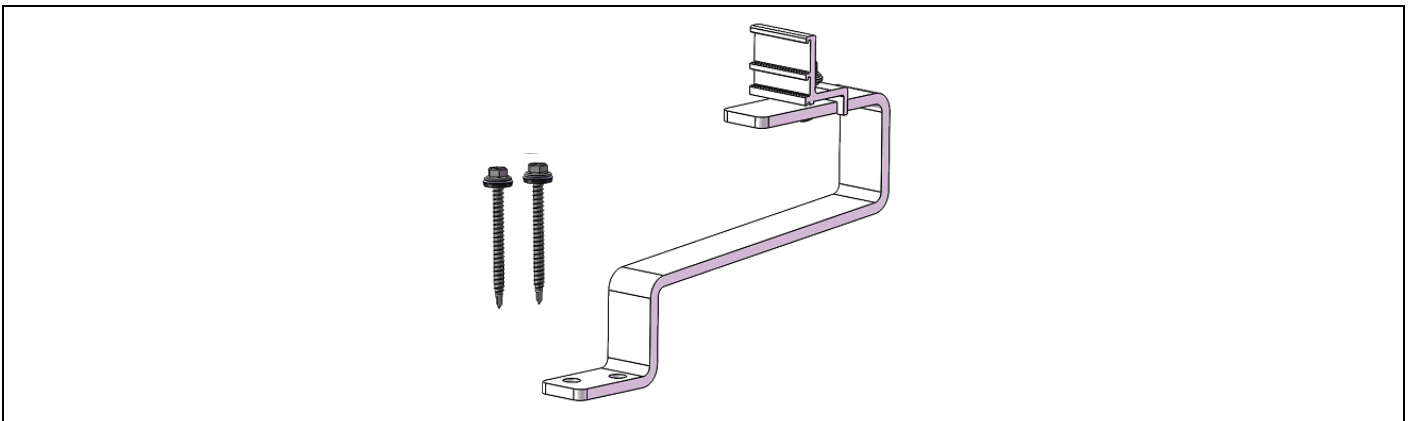


## Flat Tile Interface for Tegalit roof

### Assembly

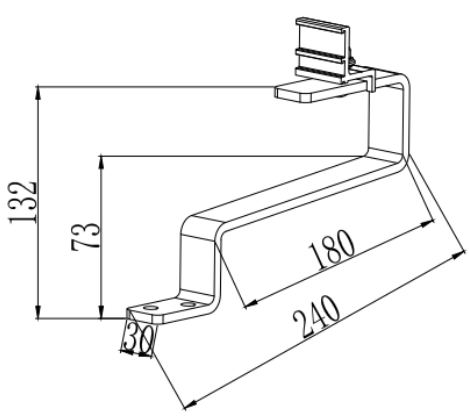


### Component



Flat Tile Interface for Tegalit roof with 6.3x70 Buildex Screw  
Part No.: ER-I-PRO/07

### Technical Specification

Application	Tile Roof	
Purlin Requirement	Metal or Timber Purlin	
Screw Specification	2 x C3 Buildex 14-11 x 70 (14 gauge, 6.3 mm, 11 TPI, 70 mm long) screw with 16 mm Aluminum Bonded Washer	
Dimensions	L240*W30*H132mm	
Weight	0.707 kg	
Packaging	12 units per pack, 2 packs (24 units) per carton	
Material	Roof Hook: SUS304 Bolts/Washer/Nuts/Spring: SUS304 ezClip: AL6005-T5	
Standard	GB50797   AS NZS1170.2-2011   EN1991   JISC8955   ASCE 7-10	