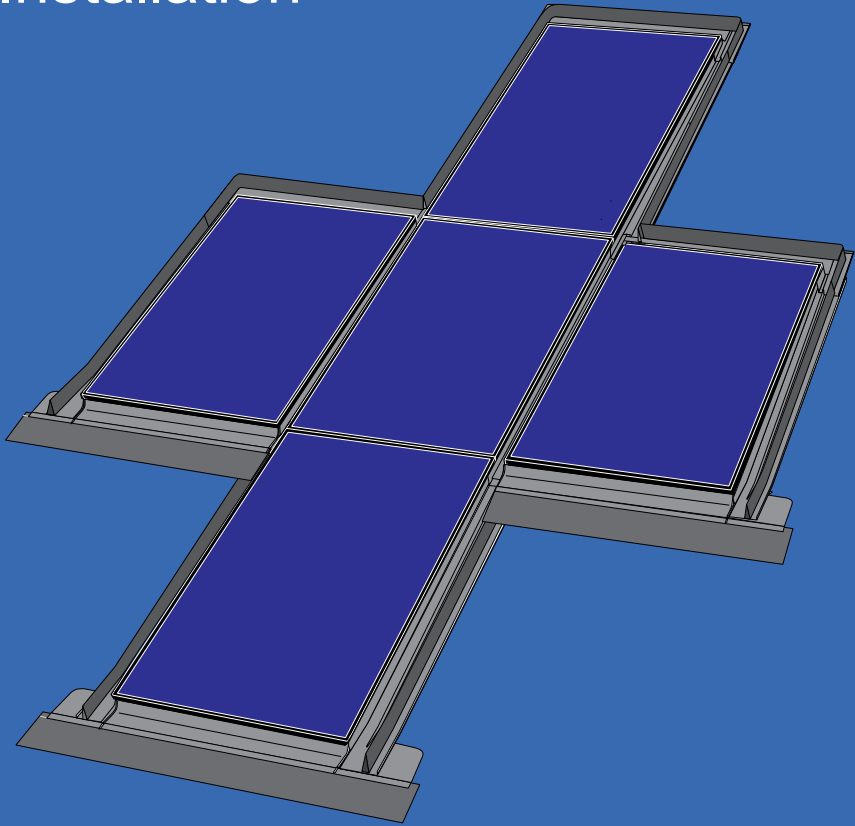
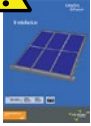


Installation



t<45mm





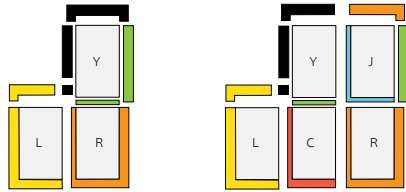
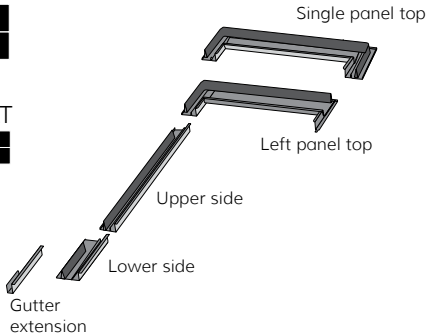
The corner kits are used in addition to standard flashing kits as shown below. This document must be read in conjunction with the universal flashing installation manual (80032).

TL / LL	TY / LY
TC / LC	J / LJ
TR / LR	

F16-CLT



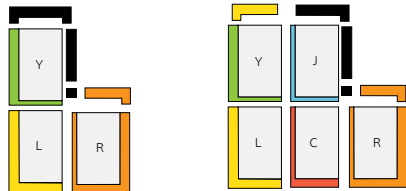
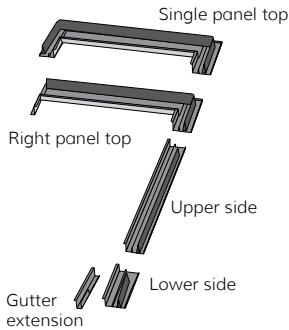
F16-LCLT



F16-CRT



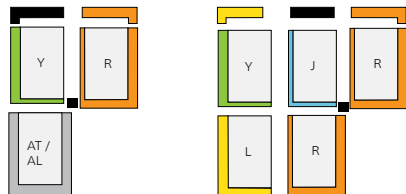
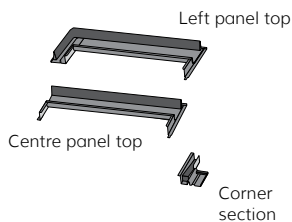
F16-LCRT



F16-CRB



F16-LCRB



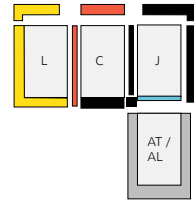
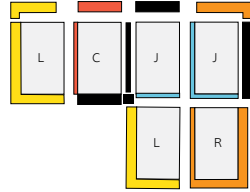
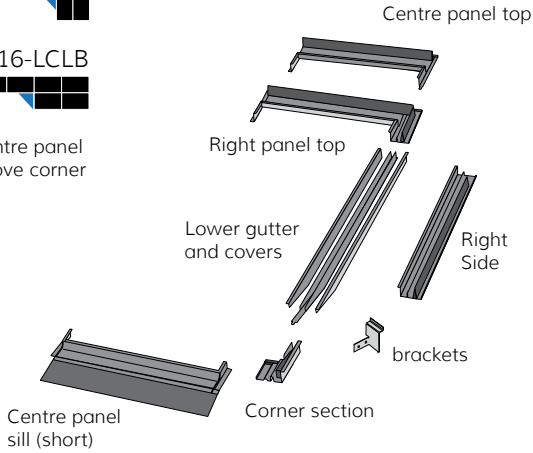
F16-CLB



F16-LCLB



Centre panel
above corner



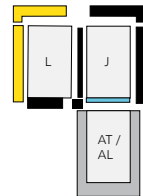
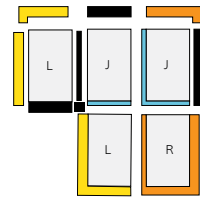
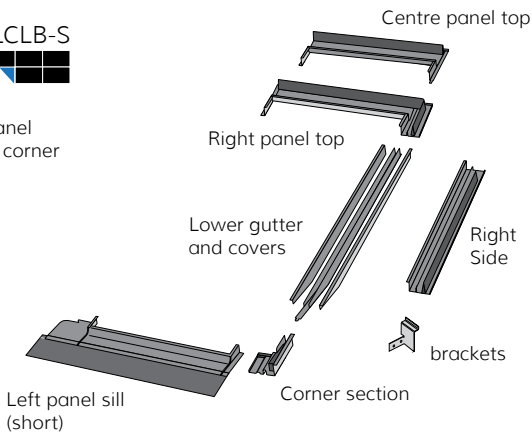
F16-CLB-S



F16-LCLB-S



Left panel
above corner



F16-CLT



F16-LCLT

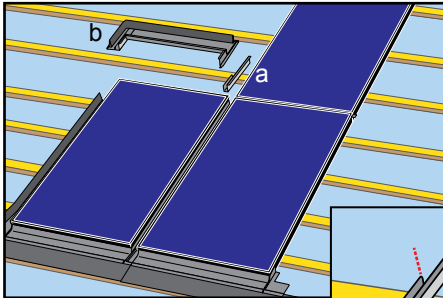


Left Top Corner

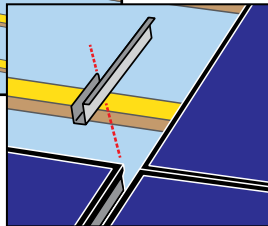


GREEN STRIPE BOX

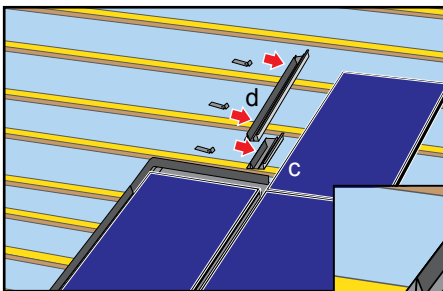
Brackets for securing the upper panel and side flashing tabs are in the Y flashing kit.



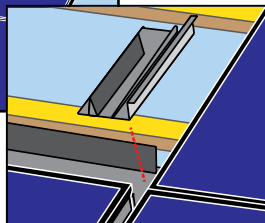
Push the gutter extension (a) into the flashing gasket across the joint between the two right hand panels. The top edge of the full gutter section should be aligned with the top of the lower panels.



Assemble the top flashing (b)



Assemble the lower side flashing (c) then the upper side flashing (d). The bottom edge of the lower flashing aligns with the bottom edge of the top panel



The kit contains top flashings for either a single panel or a left panel. Use the flashing suitable for the array and discard the other.

F16-CRT



F16-LCRT

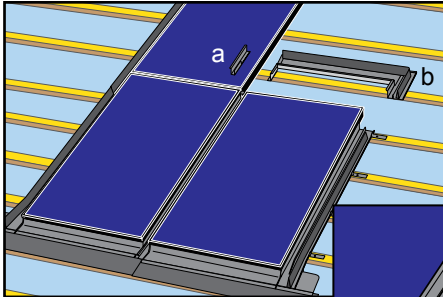


Right Top Corner

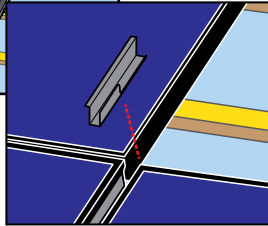


BLUE STRIPE BOX

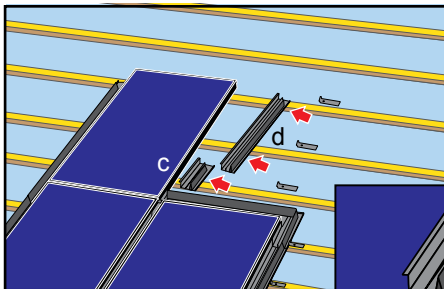
Brackets for securing the upper panel and side flashing tabs are in the Y flashing kit.



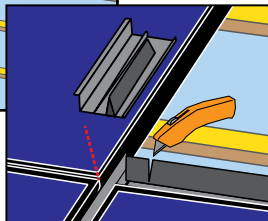
Push the gutter extension (a) into the flashing gasket across the joint between the two left hand panels. The top edge of the full gutter section should be aligned with the top of the lower panels.



Assemble the top flashing (b)



Assemble the lower side flashing (c) then the upper side flashing (d).



The bottom edge of the lower flashing aligns with the bottom edge of the top panel. Trim the foam as required.

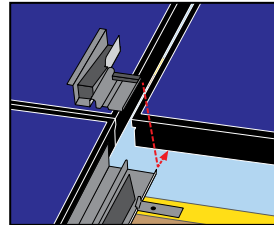
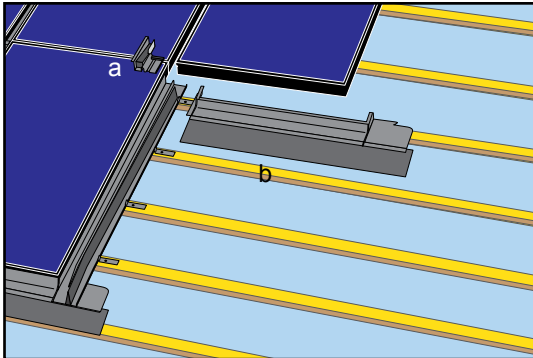
The kit contains top flashings for either a single panel or a right panel. Use the flashing suitable for the array and discard the other.

F16-CRB F16-LCRB
Right Bottom Corner



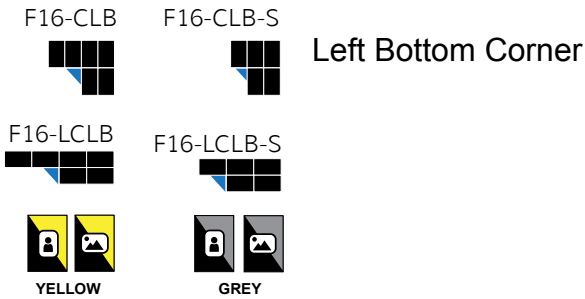
ORANGE STRIPE BOX

The corner section (a) is assembled before the sill flashing (b). Align the top face of the corner section with the bottom of the panel above it. Push the edge of the corner section into the panel gasket across the join between the two left hand panels.



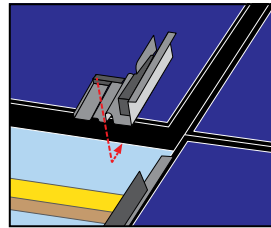
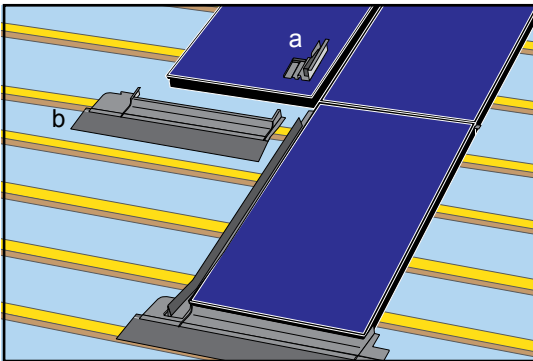
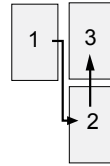
Continue with the gutter flashing between the upper panels in the normal way.

The kit contains a left top and centre top flashing to complete the array. Use the top flashing that suits the array and discard the other.



Install panels in columns from bottom to top, starting with the left column and moving to the right

The kit contains a shortened sill flashing (b) for the panel to the left of the corner. The CLB kit has a centre sill flashing to replace the sill flashing from a TC kit. The CLB-S kit has a left sill flashing to replace the sill from a TL kit.



The corner section (a) is assembled before the sill flashing (b). Align the top face of the corner section with the bottom of the panel above it. Push the edge of the corner section into the panel gasket across the join between the two right hand panels.

A lower gutter and covers for the gap between the two panels above the corner is provided in the kit.

The kit contains a side flashing, side brackets and a right top and centre top flashing to complete the array. Use the top flashing that suits the array and discard the other.

Viridian Solar
Atlas Building, 68 Stirling Way
Papworth, Cambridge.
CB23 3GY
T 01480 831 501
F 01480 831 831
www.viridiansolar.co.uk

