

58433-3 ✓ ACTIVE

AMP

TE Internal #: 58433-3

Commercial Crimp Tooling, Removable/Interchangeable, TE Product Specification (114-), Battery / Electric / Manual, Hand Crimping Tools

[View on TE.com >](#)



Application Tooling > Hand Crimping Tools



Tool Grade: **Commercial Crimp Tooling**

Die Sets Type: **Removable/Interchangeable**

Specification Type: **TE Product Specification (114-)**

TE Certification: **Upon Request for Fee**

Power Technology Type: **Battery, Electric, Manual, Pneumatic**

Features

Other

Crimp Form-Wire Barrel Type	Closed Barrel - Tetra
Tool Grade	Commercial Crimp Tooling
Die Sets Type	Removable/Interchangeable
Specification Type	TE Product Specification (114-)
TE Certification	Upon Request for Fee
Power Technology Type	Battery, Electric, Manual, Pneumatic
Tooling Type	PRO-CRIMPER Hand Tool

Product Compliance

[For compliance documentation, visit the product page on TE.com>](#)

EU RoHS Directive 2011/65/EU	Compliant
EU ELV Directive 2000/53/EC	Out of Scope
China RoHS 2 Directive MIIT Order No 32, 2016	No Restricted Materials Above Threshold
EU REACH Regulation (EC) No. 1907/2006	Current ECHA Candidate List: JUNE 2024 (241) Candidate List Declared Against: JAN 2021 (211) Does not contain REACH SVHC
Halogen Content	Low Halogen - Br, Cl, F, I < 900 ppm per homogenous material. Also BFR/CFR/PVC

Free

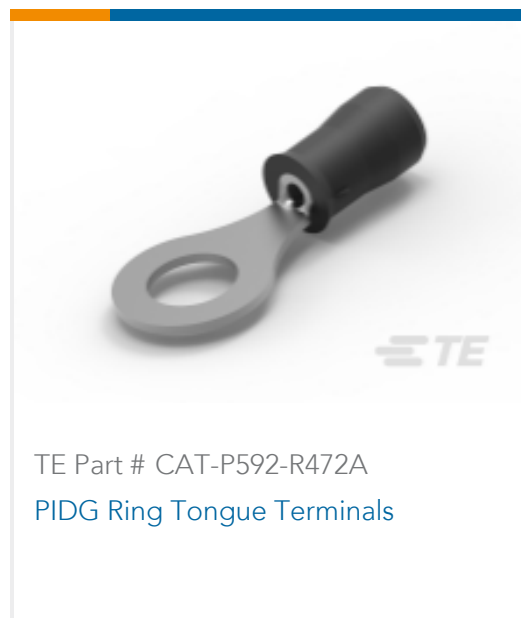
Solder Process Capability

Not applicable for solder process capability

Product Compliance Disclaimer

This information is provided based on reasonable inquiry of our suppliers and represents our current actual knowledge based on the information they provided. This information is subject to change. The part numbers that TE has identified as EU RoHS compliant have a maximum concentration of 0.1% by weight in homogenous materials for lead, hexavalent chromium, mercury, PBB, PBDE, DBP, BBP, DEHP, DIBP, and 0.01% for cadmium, or qualify for an exemption to these limits as defined in the Annexes of Directive 2011/65/EU (RoHS2). Finished electrical and electronic equipment products will be CE marked as required by Directive 2011/65/EU. Components may not be CE marked. Additionally, the part numbers that TE has identified as EU ELV compliant have a maximum concentration of 0.1% by weight in homogenous materials for lead, hexavalent chromium, and mercury, and 0.01% for cadmium, or qualify for an exemption to these limits as defined in the Annexes of Directive 2000/53/EC (ELV). Regarding the REACH Regulation, the information TE provides on SVHC in articles for this part number is based on the latest European Chemicals Agency (ECHA) 'Guidance on requirements for substances in articles' posted at this URL: <https://echa.europa.eu/guidance-documents/guidance-on-reach>

Compatible Parts



TE Part # CAT-P592-R472A
PIDG Ring Tongue Terminals



TE Part # CAT-P592-SP118
PIDG Spade Tongue Terminals



TE Part # CAT-P592-F614
PIDG Flanged Spade Tongue Terminals



TE Part # CAT-P592-SH816
PIDG Short Spring Spade Tongue Terminals



TE Part # CAT-P592-F266
PIDG FASTON Receptacle Quick Disconnects



TE Part # CAT-P592-ST433
PIDG Stepdown Butt Splices



TE Part # CAT-P592-L9505
PIDG LOW INSERTION FORCE FASTON RECPT



TE Part # CAT-P592-K742
PIDG Knife Disconnect Splices



TE Part # CAT-P592-P624
PIDG Piggy Back FASTON Terminal



TE Part # CAT-P592-L853
PIDG Long Spring Spade Tongue Terminals




TE Part # CAT-P592-T116
PIDG Pre-Insulated Diamond Grip Tabs



TE Part # CAT-P592-F766
PIDG Formed Wire Pins




TE Part # CAT-P592-SL56
PIDG Slotted Ring Tongue Terminals



TE Part # CAT-P592-H763
PIDG Hook Tongue Terminals



TE Part # CAT-P592-SH93
PIDG Shur Plugs



TE Part # CAT-P592-R2456
PIDG Rectangular Tongue Terminals



TE Part # 323039
PIDG R OFS 22-16COM22-18MIL 6



TE Part # CAT-P592-B98
PIDG Butt Splices



TE Part # CAT-P592-R472
PIDG Radiation Resistant C Rings /Spades



TE Part # 58423-1
DIE, RBY IS9252

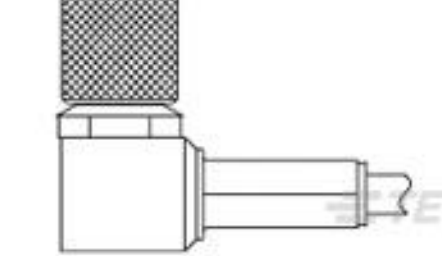
Customers Also Bought



TE Part # 5-6609107-5
PS000SS6B=C1114



TE Part # 8-324918-2
TERMINAL,PIDG R 12-10 10



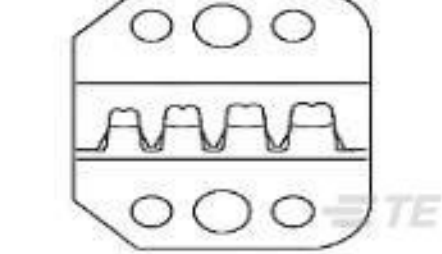
TE Part # 1467950-1
132-0116-0002



TE Part # 1393114-9
KUEP-7D15-110=KU




TE Part # CJ4552-000
D-141-30-LF




TE Part # 91337-2
SIZE 16 PRO-CRIMPER DIE



TE Part # 502750-1
KIT,COUPLING RECEPT,2.5BAY,SM



TE Part # 83000-000
VCS-04016 VERTICAL LEVEL SENSO



TE Part # ROB21
SUB, MISCACC, RW, 21in

Documents



Datasheets & Catalog Pages

[1-1773865-2_1015_Commercial Manual Hand Tools](#)

English

[Bottoming Dies](#)

English

[PIDG TERMINALS & SPLICES Quick Reference Guide](#)

English

Instruction Sheets

[Instruction Sheet \(U.S.\)](#)

English