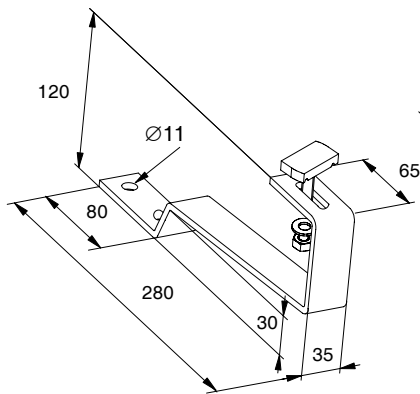
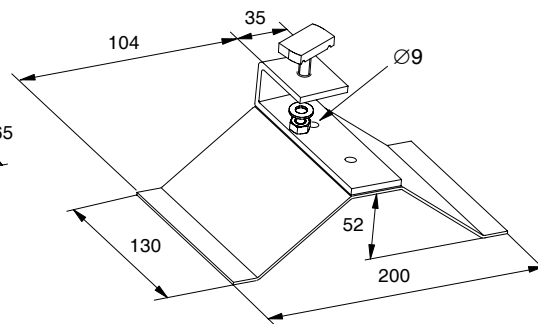


Roof anchor – slate



Roof anchor – plain tile



Roof anchor – corrugated

**Article number:** 221 080  
**Description:** Roof anchor slate

**Content:** 2 roof anchors  
2 interlocking bolts  
2 washers  
2 M8 nuts

To fix the on-roof installation system onto a slate roof. The interlocking bolt is pre-fitted to the roof anchor with washer and M8 nut.

**Article number:** 221 370  
**Description:** Roof anchor - plain tile

**Content:** 2 roof anchors  
2 interlocking bolts  
2 washers  
2 M8 nuts

To fix the on-roof installation system onto a roof fitted with plain tiles. The interlocking bolt is pre-fitted to the roof anchor with washer and M8 nut.

**Article number:** 221 081  
**Description:** Roof anchor - corrugated

**Content:** 2 roof anchors  
2 interlocking bolts  
2 washers  
2 M8 nuts

To fix the roof-mounted system onto "welleternit" or similar type roofing. The interlocking bolt is pre-fitted to the roof anchor with washer and M8 nut.

## Roof anchors

The position of the roof rafters must be taken into account when fixing the plain tile and slate roof anchors. There is then usually no need to use the mounting battens supplied in the on-roof installation kit.

**The fixing screws for the plain tile, slate roof, and corrugated roof anchors must be provided by the customer.**

## Features

- Stainless steel interlocking bolt
- Stainless steel roof anchors
- High mechanical load-bearing capacity
- Easy to align mounting rails
- Proof of structural integrity